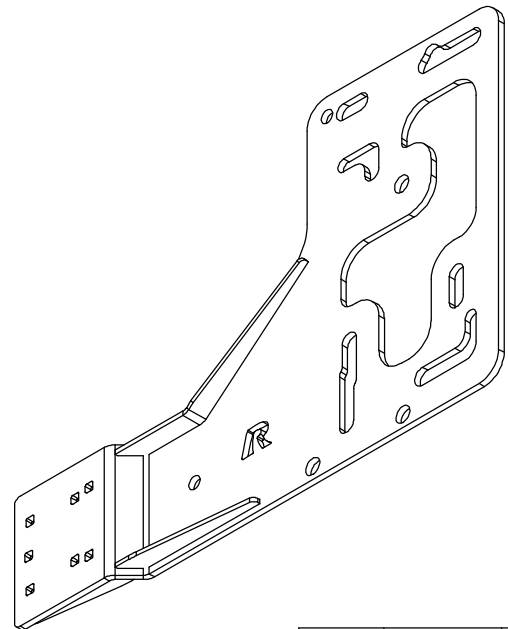
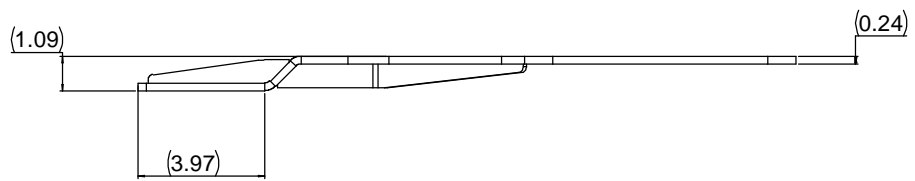
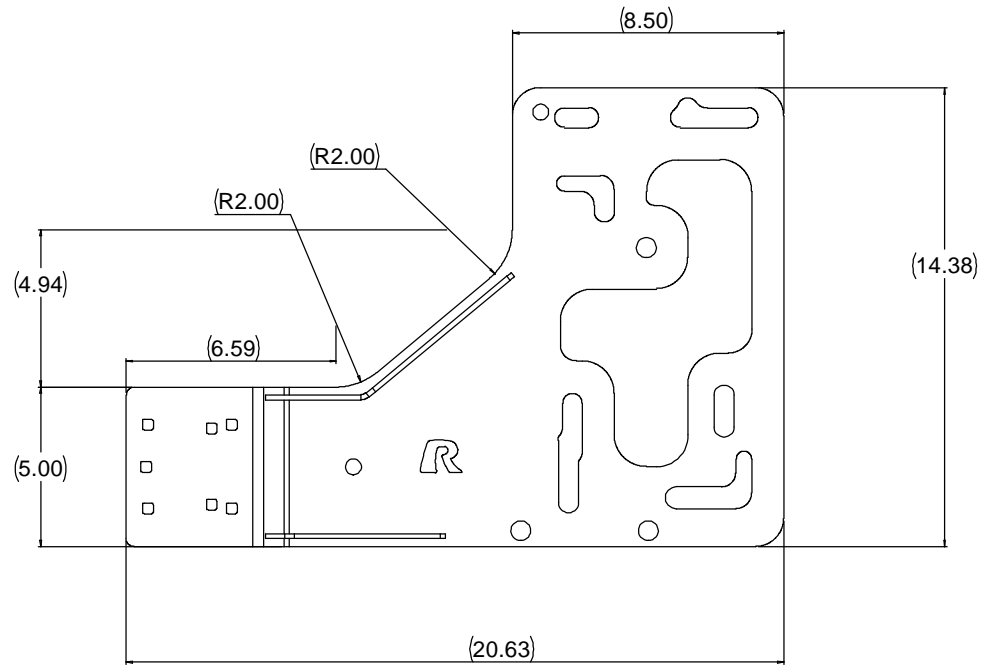


THE INFORMATION CONTAINED IN THIS DRAWING IS THE SOLE PROPERTY OF NATIONAL PRODUCTS INC. ANY REPRODUCTION IN PART OR WHOLE WITHOUT THE WRITTEN PERMISSION OF NATIONAL PRODUCTS INC. IS PROHIBITED.



UNLESS OTHERWISE SPECIFIED DIMENSIONS ARE IN INCHES TOLERANCES ARE: FRACTIONS DECIMALS ANGLES FRACTIONS DECIMALS ANGLES FRACTIONS DECIMALS ANGLES		BLACK POWDER COAT		DIN 9135-1 DIN 9135-2	
DATE: 04/29/12				SCALE: 1:1	
DRAWN BY: JDC				CHECKED BY: CMR	
DATE: 04/29/12				DATE: 04/29/12	
MATERIAL: STEEL				FINISH: BLACK POWDER COAT	
PART NAME: RAM NO-DRILL UNIVERSAL LAPTOP BASE FOR TRUCKS				PART NUMBER: RAM-VB-168	
REVISION: A1				DRAWN BY: JDC	