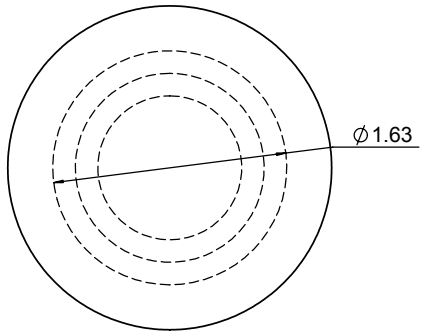
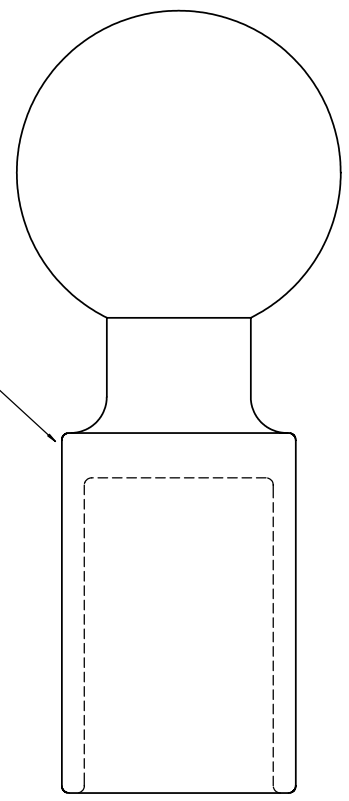
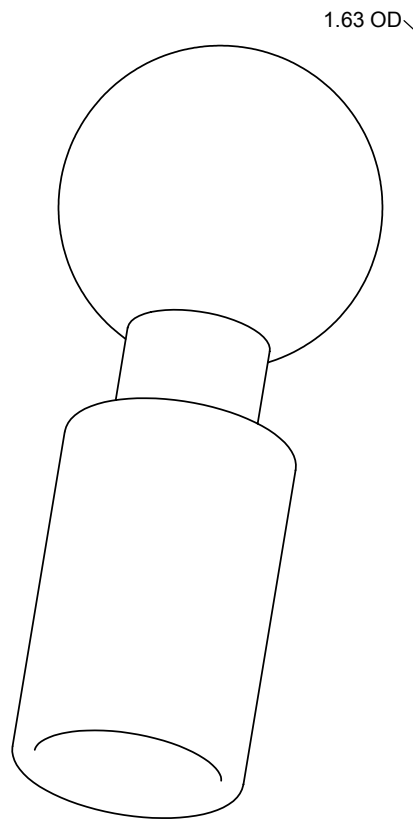
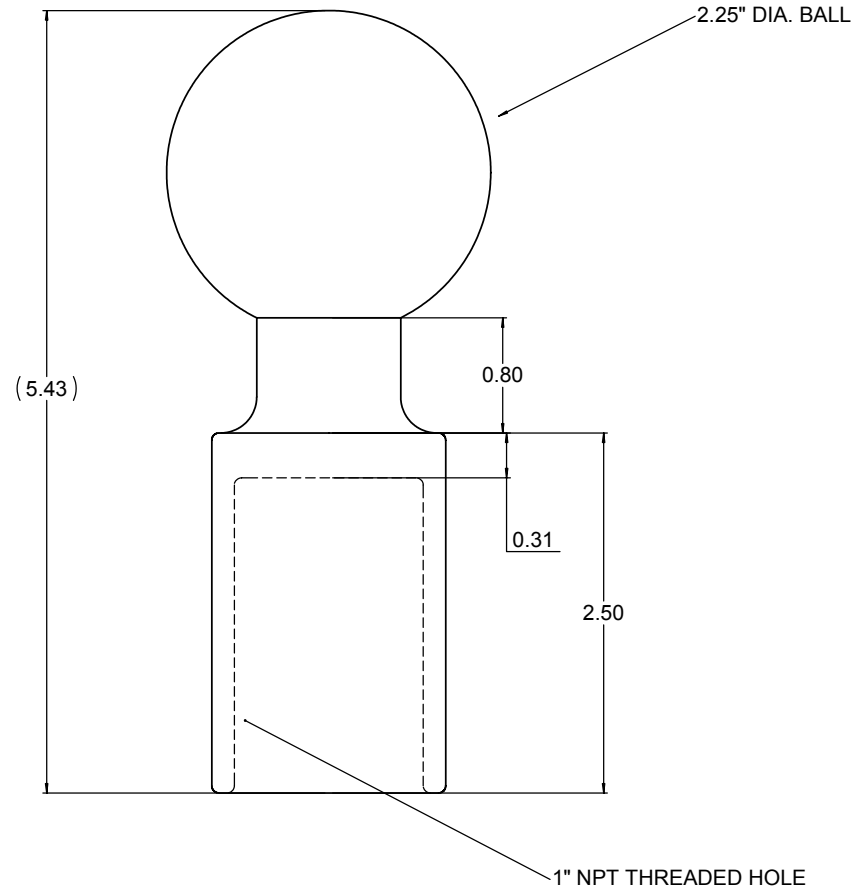


THE INFORMATION CONTAINED IN THIS DRAWING IS THE SOLE PROPERTY OF NATIONAL PRODUCTS INC. ANY REPRODUCTION IN PART OR WHOLE WITHOUT THE WRITTEN PERMISSION OF NATIONAL PRODUCTS INC. IS PROHIBITED.

REV.		DESCRIPTION	DATE	APPROVED



UNLESS OTHERWISE SPECIFIED DIMENSIONS ARE IN INCHES TOLERANCES ARE: FRACTIONS: DECIMALS ANGLES +/- 1/32 .XX+-.06 +-.1 DEG. .XXX+-.030	C-AD GENERATED DRAWING. DO NOT MANUALLY UPDATE		NATIONAL PRODUCTS INC.	
	APPROVALS	DATE	RAM BASE WITH 2.25" DIA. RUBBER BALL & 1" NPT THREADED HOLE	
	DRAWN JDC	04/20/01		
	CHECKED CMR	04/20/01	RAM-D-218-1	
MATERIAL: ALUMINUM	RESP ENG	SIZE: C	SWG. NO.:	REV.
FINISH: BLACK POWDER COAT	MFG ENG	SCALE: 1 TO 1	CAD FILE: RAMD2181	SHEET 1 OF 1
DO NOT SCALE DRAWING	QUAL ENG			