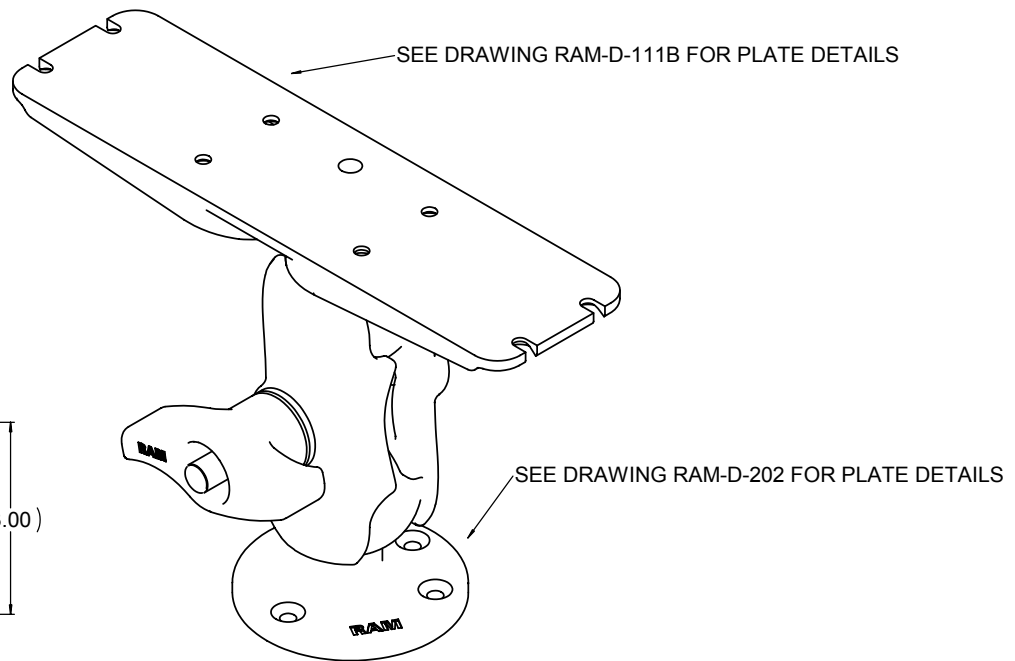
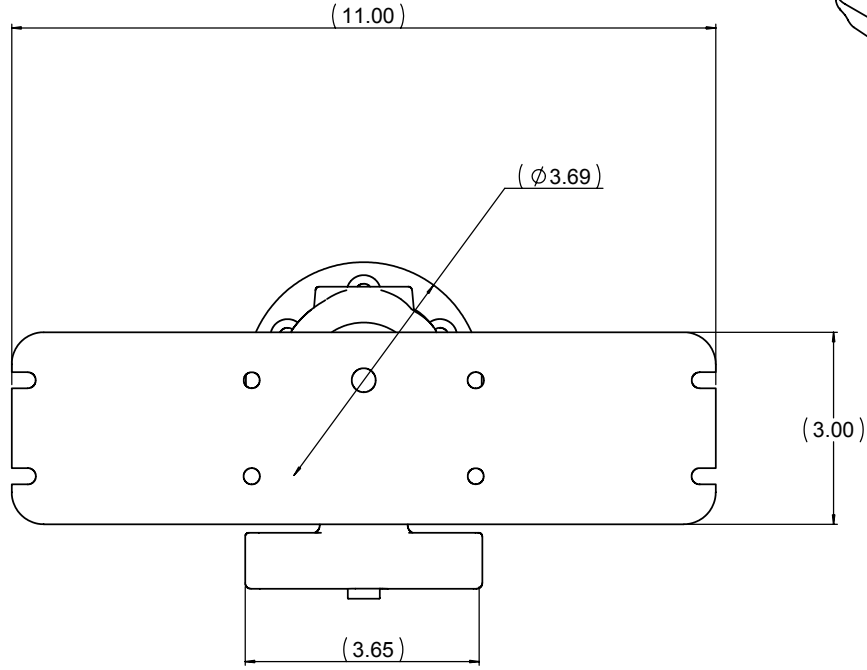
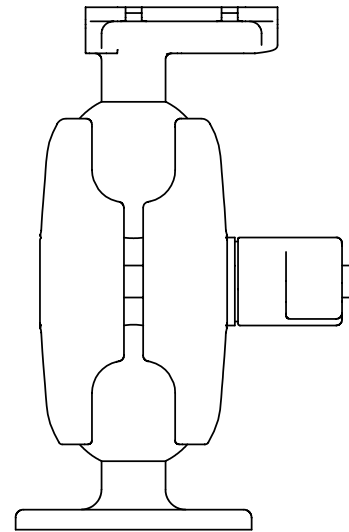
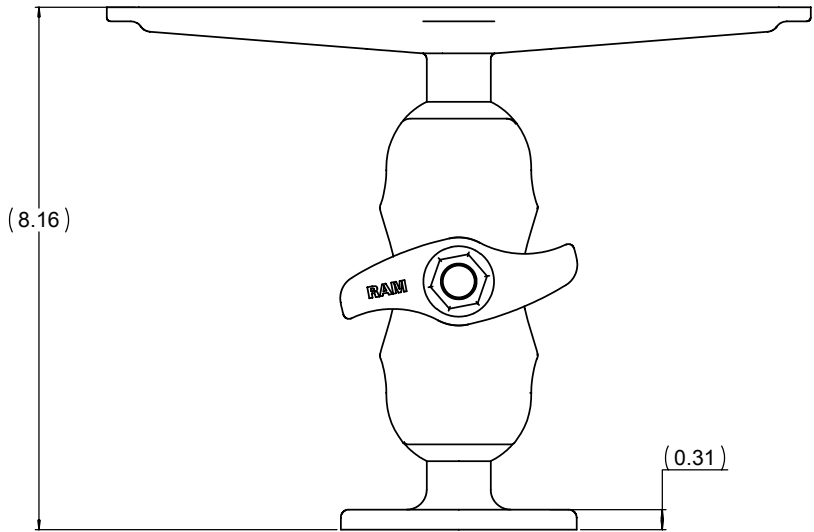


THE INFORMATION CONTAINED IN THIS DRAWING IS THE SOLE PROPERTY OF NATIONAL PRODUCTS INC. ANY REPRODUCTION IN PART OR WHOLE WITHOUT THE WRITTEN PERMISSION OF NATIONAL PRODUCTS INC. IS PROHIBITED.

REV.		DESCRIPTION	REVISIONS	DATE	APPROVED



UNLESS OTHERWISE SPECIFIED DIMENSIONS ARE IN INCHES		C-AD GENERATED DRAWING. DO NOT MANUALLY UPDATE		NATIONAL PRODUCTS INC.	
FRACTIONS: DECIMALS ANGLES		APPROVALS	DATE	RAM MOUNT WITH 1-2.43" DIA. BASE & 1-3" X 11" BASE WITH 2 1/4" DIA. RUBBER BALLS C LENGTH ARM	
+/- 1/32 .XXX+-.06 +/- 1 DEG.		DRAWN	JDC 04/20/01	SCALE 1 TO 1	
.XXX+-.030		CHECKED	CMR 04/20/01	CAD FILE:	RAMD111C
MATERIAL	ALUMINUM	RESP ENG		SHEET	1 OF 1
FINISH	BLACK POWDER COAT	MFG ENG		REV.	
DO NOT SCALE DRAWING		QUAL ENG			