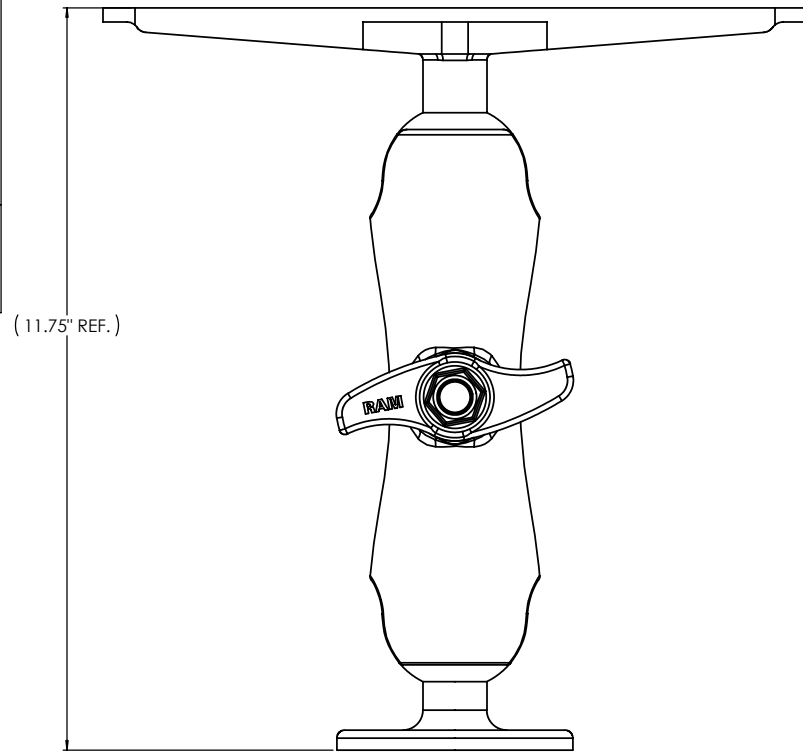
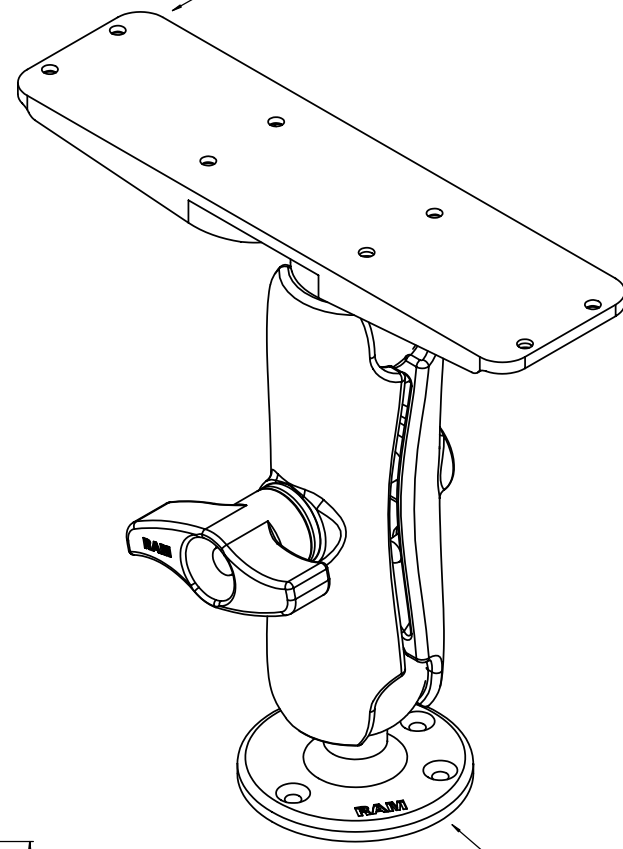


THE INFORMATION CONTAINED IN THIS DRAWING IS THE SOLE PROPERTY OF NATIONAL PRODUCTS INC. ANY REPRODUCTION IN PART OR WHOLE WITHOUT THE WRITTEN PERMISSION OF NATIONAL PRODUCTS INC. IS PROHIBITED.

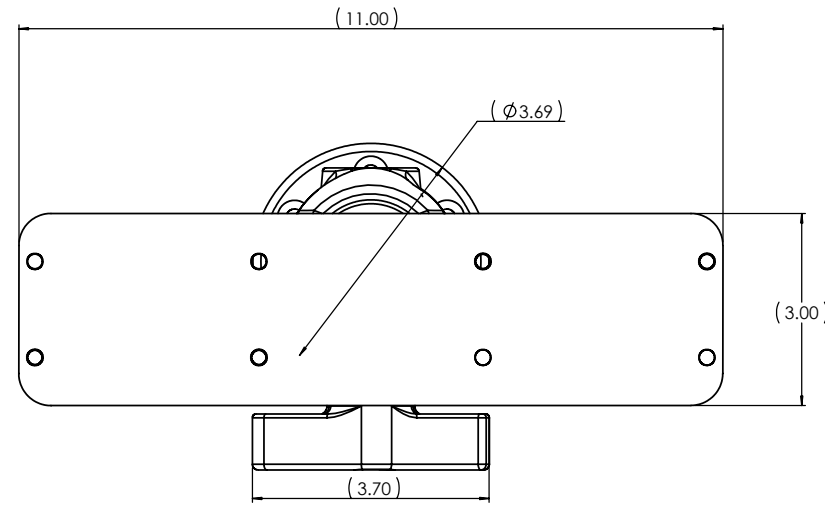
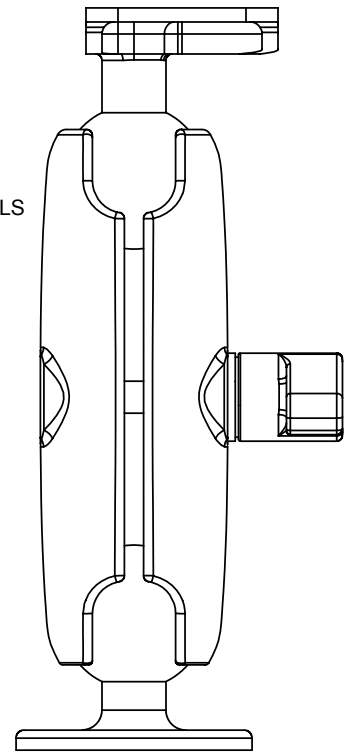
REV.		DESCRIPTION	REVISIONS	DATE	APPROVED



SEE DRAWING RAM-D-111B FOR PLATE DETAILS



SEE DRAWING RAM-D-202 FOR PLATE DETAILS



UNLESS OTHERWISE SPECIFIED DIMENSIONS ARE IN INCHES TOLERANCES ARE: FRACTIONS DECIMALS ANGLES +/- 1/32 .XXX+ .06 +/- 1 DEG. .XXX+ .030	C-AD GENERATED DRAWING. DO NOT MANUALLY UPDATE		NATIONAL PRODUCTS INC.	
	APPROVALS	DATE	RAM MOUNT WITH 3.68" DIA. BASE & 3" X 11" BASE WITH 2 1/4" RUBBER BALLS	
MATERIAL: ALUMINUM	DRAWN	JDC	01/19/01	REV.
	CHECKED	CMR	04/20/01	
FINISH: BLACK POWDER COAT	RESP ENG			SIZE
	MFG ENG			
DO NOT SCALE DRAWING	QUAL ENG			SCALE 1 TO 1
		CAD FILE:	RAMD111	SHEET 1 OF 1