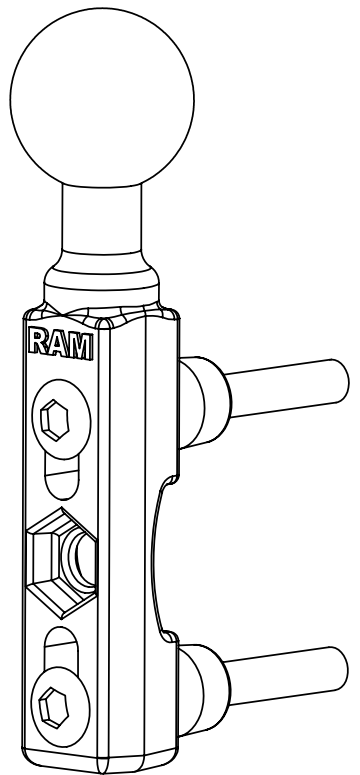
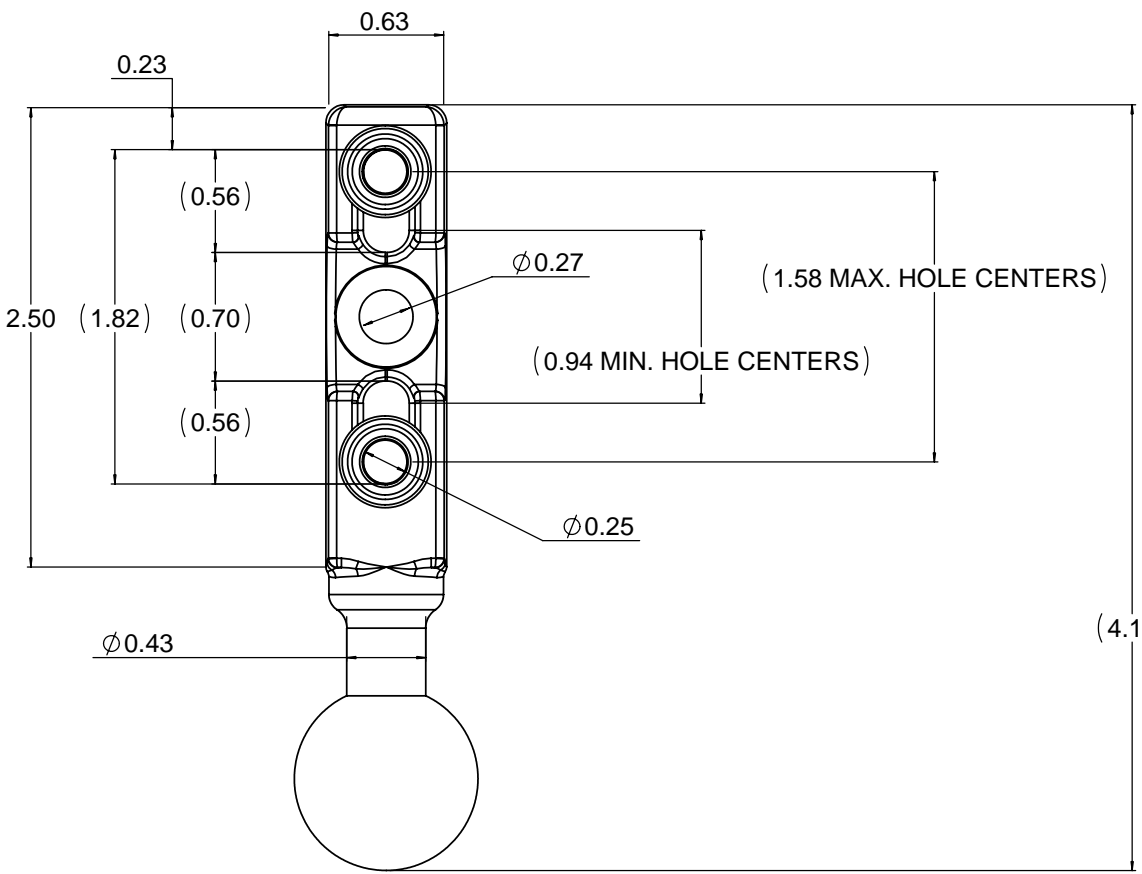
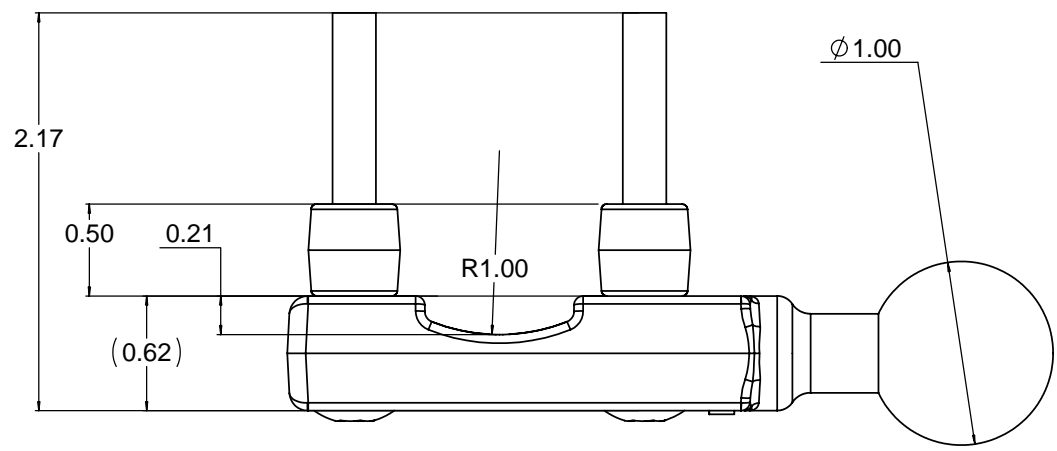
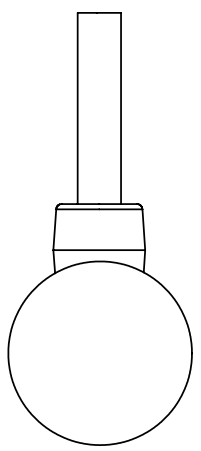


THE INFORMATION CONTAINED IN THIS DRAWING IS THE SOLE PROPERTY OF NATIONAL PRODUCTS INC. ANY REPRODUCTION IN PART OR WHOLE WITHOUT THE WRITTEN PERMISSION OF NATIONAL PRODUCTS INC. IS PROHIBITED.

REV.	DESCRIPTION	REVISION	DATE	APPROVED



UNLESS OTHERWISE SPECIFIED DIMENSIONS ARE IN INCHES TOLERANCES ARE: FRACTIONS: DECIMALS: ANGLES: +1/32 XXXX-03 +1 DEG. XXX-0.010	<table border="1"> <tr> <td>APPROVAL</td> <td>DATE</td> </tr> <tr> <td>DRAWN JDC</td> <td>05/09/04</td> </tr> <tr> <td>CHECKED CMR</td> <td>05/09/04</td> </tr> <tr> <td>DESIGN</td> <td></td> </tr> </table>	APPROVAL	DATE	DRAWN JDC	05/09/04	CHECKED CMR	05/09/04	DESIGN		<table border="1"> <tr> <td colspan="2">NATIONAL PRODUCTS INC.</td> </tr> <tr> <td colspan="2">RAM BASE WITH 1" BALL SLOTTED HOLES AND U-BOLT ATTACHMENTS</td> </tr> <tr> <td>DESIGN NO.</td> <td>RAM-B-309-1</td> </tr> <tr> <td>SCALE 1 TO 1</td> <td>CAD FILE RAMB3091</td> </tr> </table>	NATIONAL PRODUCTS INC.		RAM BASE WITH 1" BALL SLOTTED HOLES AND U-BOLT ATTACHMENTS		DESIGN NO.	RAM-B-309-1	SCALE 1 TO 1	CAD FILE RAMB3091
APPROVAL	DATE																	
DRAWN JDC	05/09/04																	
CHECKED CMR	05/09/04																	
DESIGN																		
NATIONAL PRODUCTS INC.																		
RAM BASE WITH 1" BALL SLOTTED HOLES AND U-BOLT ATTACHMENTS																		
DESIGN NO.	RAM-B-309-1																	
SCALE 1 TO 1	CAD FILE RAMB3091																	
MATERIAL: ALUMINUM	FINISH: BLACK POWDER COATING OR CUSTOMER	REV. C																
DO NOT SCALE DRAWING	DATE: 05/09/04	SHEET 1 OF 1																