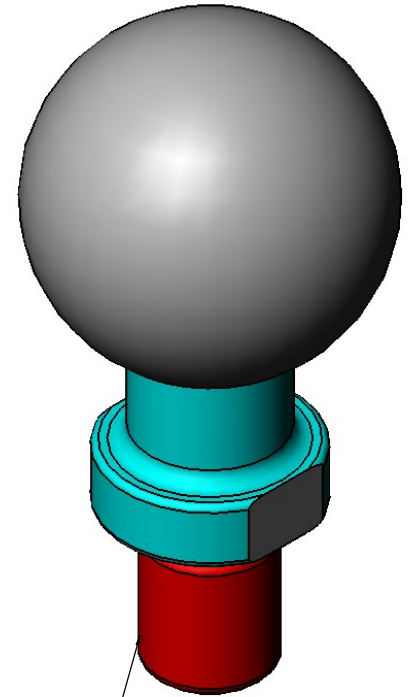
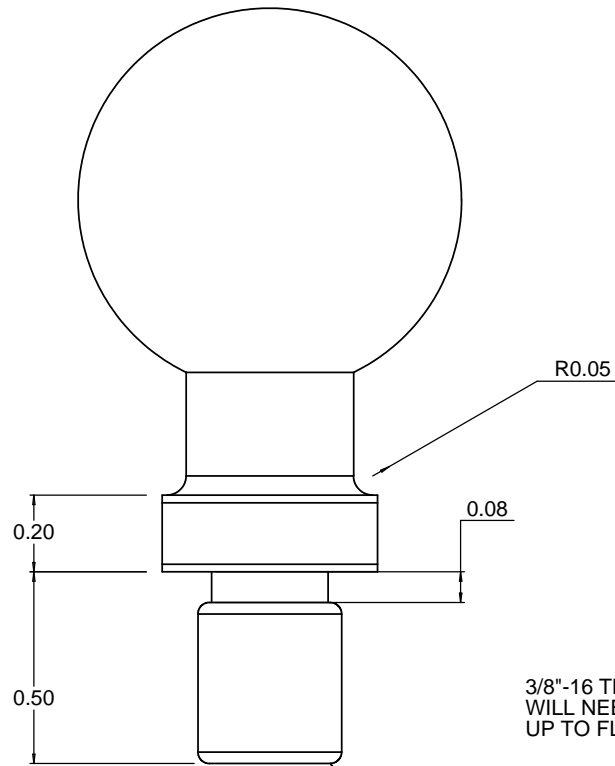
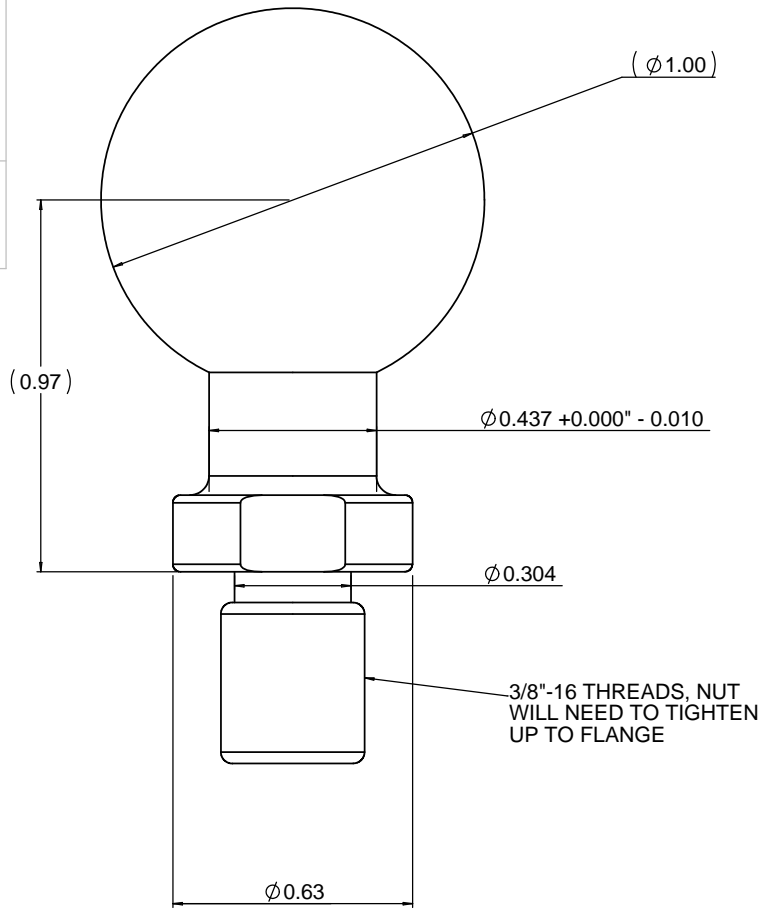
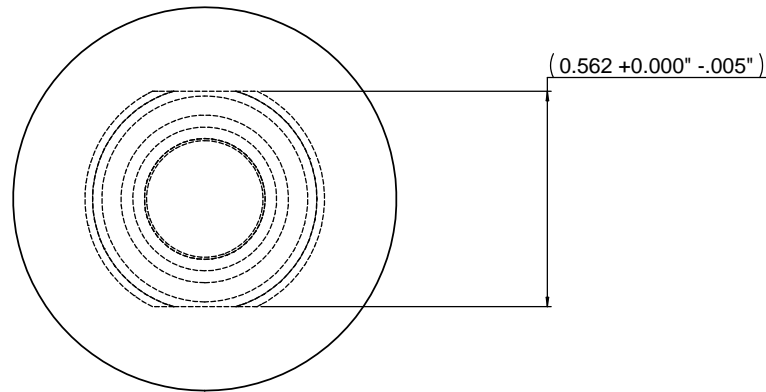


THE INFORMATION CONTAINED IN THIS DRAWING IS THE SOLE PROPERTY OF NATIONAL PRODUCTS INC. ANY REPRODUCTION IN PART OR WHOLE WITHOUT THE WRITTEN PERMISSION OF NATIONAL PRODUCTS INC. IS PROHIBITED.

REV.	DESCRIPTION	REVISIONS	DATE	APPROVED



BREAK ALL SHARP CORNERS
 PARTS ARE TO BE FREE OF ALL
 DIRT, OIL, GREASE
 AND HAVE A BRIT-DIP FINISH
 SO THEY ARE PAINT READY



UNLESS OTHERWISE SPECIFIED DIMENSIONS ARE IN INCHES TOLERANCES ARE: FRACTIONS: DECIMALS ANGLES $\pm .1/32$ $\pm .005$ ± 1 DEG. $\pm .0004$ $\pm .010$	CAD GENERATED DRAWING. DO NOT MANUALLY UPDATE		NATIONAL PRODUCTS INC.	
	APPROVALS DRAWN JDC 02/14/13 CHECKED CMR 02/14/13 MFG ENG QUAL ENG	DATE 02/14/13	RAM BASE WITH 9/16" FLATS & 3/8"-16 THREADED POST & 1" DIA. RUBBER BALL	
	MATERIAL 6061 T6 ALUMINUM	FINISH PLAN	DWG. NO. RAM-B-236	REV. C
	DO NOT SCALE DRAWING		SCALE TO 1 CAD FILE: RAMB236	SHEET 1 OF 1