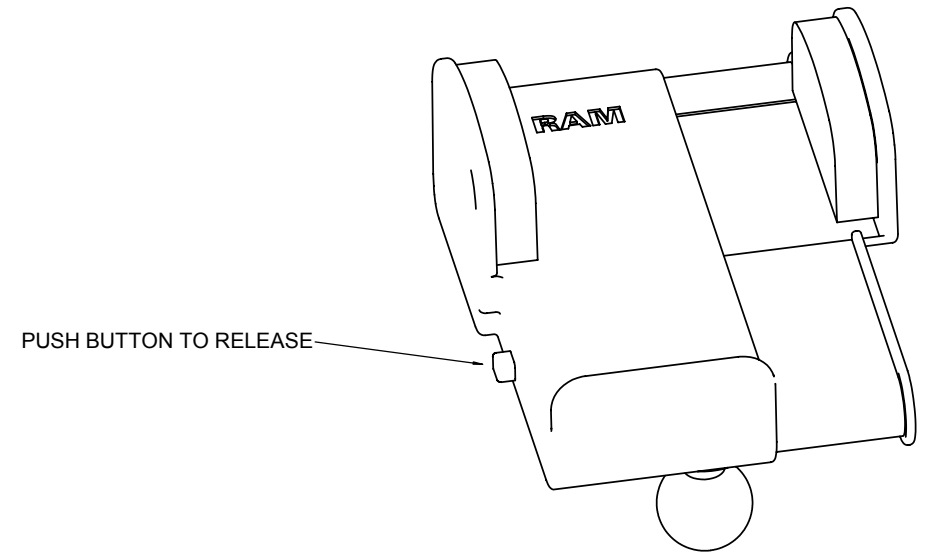
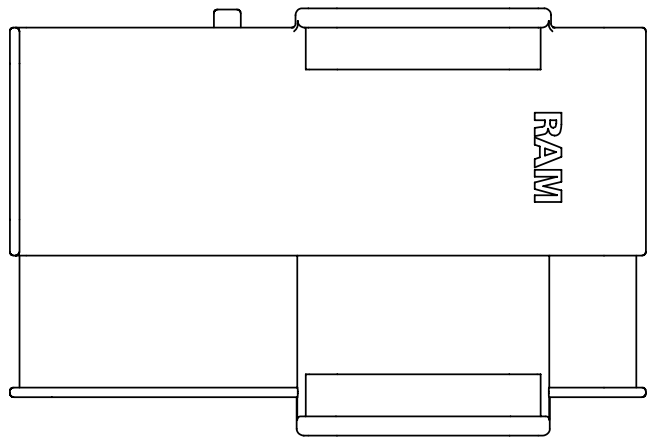
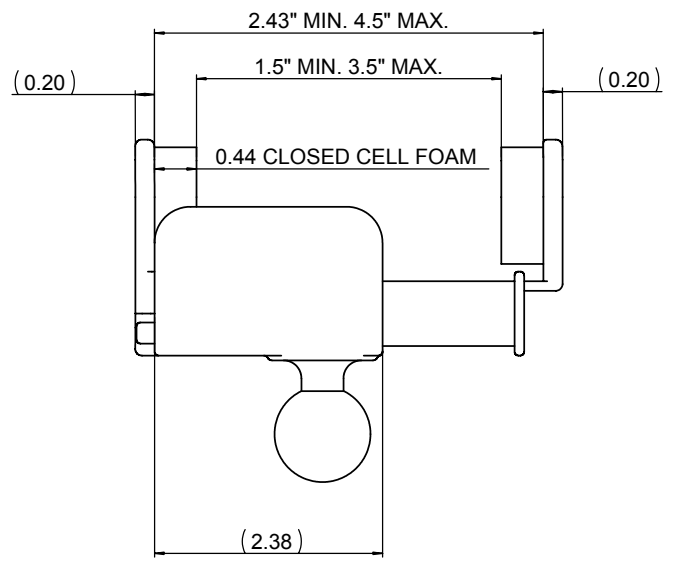
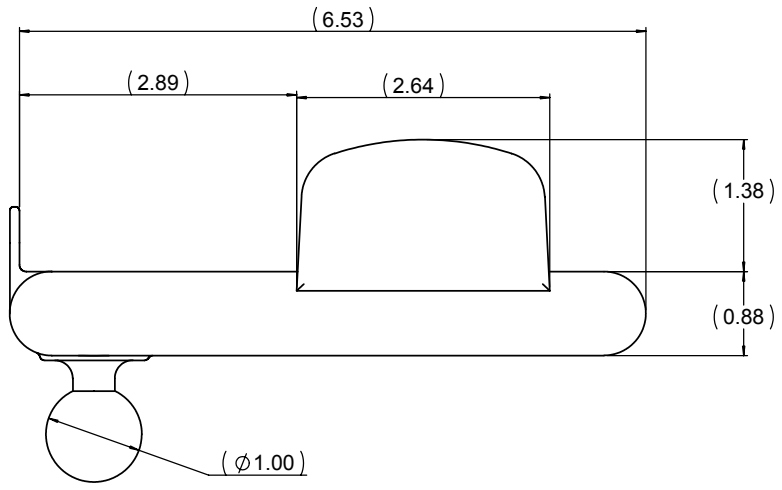


THE INFORMATION CONTAINED IN THIS DRAWING IS THE SOLE PROPERTY OF NATIONAL PRODUCTS INC. ANY REPRODUCTION IN PART OR WHOLE WITHOUT THE WRITTEN PERMISSION OF NATIONAL PRODUCTS INC. IS PROHIBITED.

REV.	DESCRIPTION	DATE	APPROVED



UNLESS OTHERWISE SPECIFIED DIMENSIONS ARE IN INCHES TOLERANCES ARE: FRACTIONS: DECIMALS ANGLES +/- 1/32 .XXX+-.03 +/- 1 DEG. .XXX+-.010	CAD GENERATED DRAWING. DO NOT MANUALLY UPDATE	NATIONAL PRODUCTS INC.	
MATERIAL: ALUMINUM	APPROVALS: DRAWN: JDC 04/20/01 CHECKED: CMR 04/20/01 RESP ENG:	RAM UNIVERSAL QUICK RELEASE ELECTRONICS HOLDER WITH 1" DIA. RUBBER BALL	
FINISH: BLACK POWDER COAT	MFG ENG:	SIZE: C	SWGS. NO: RAM-B-120B
DO NOT SCALE DRAWING	QUAL ENG:	SCALE: 1 TO 1	CAD. FILE: RAMB120B SHEET 1 OF 1