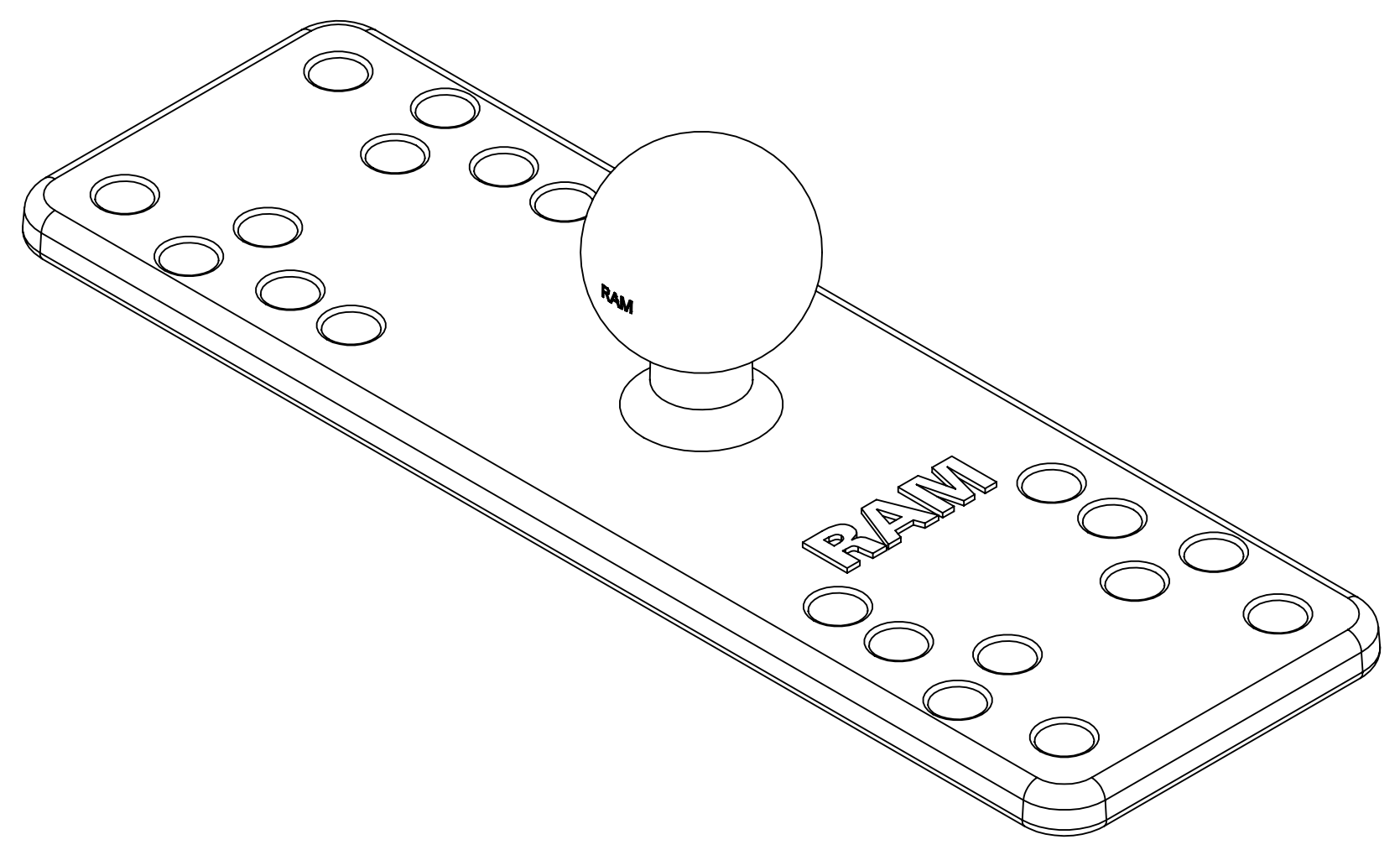
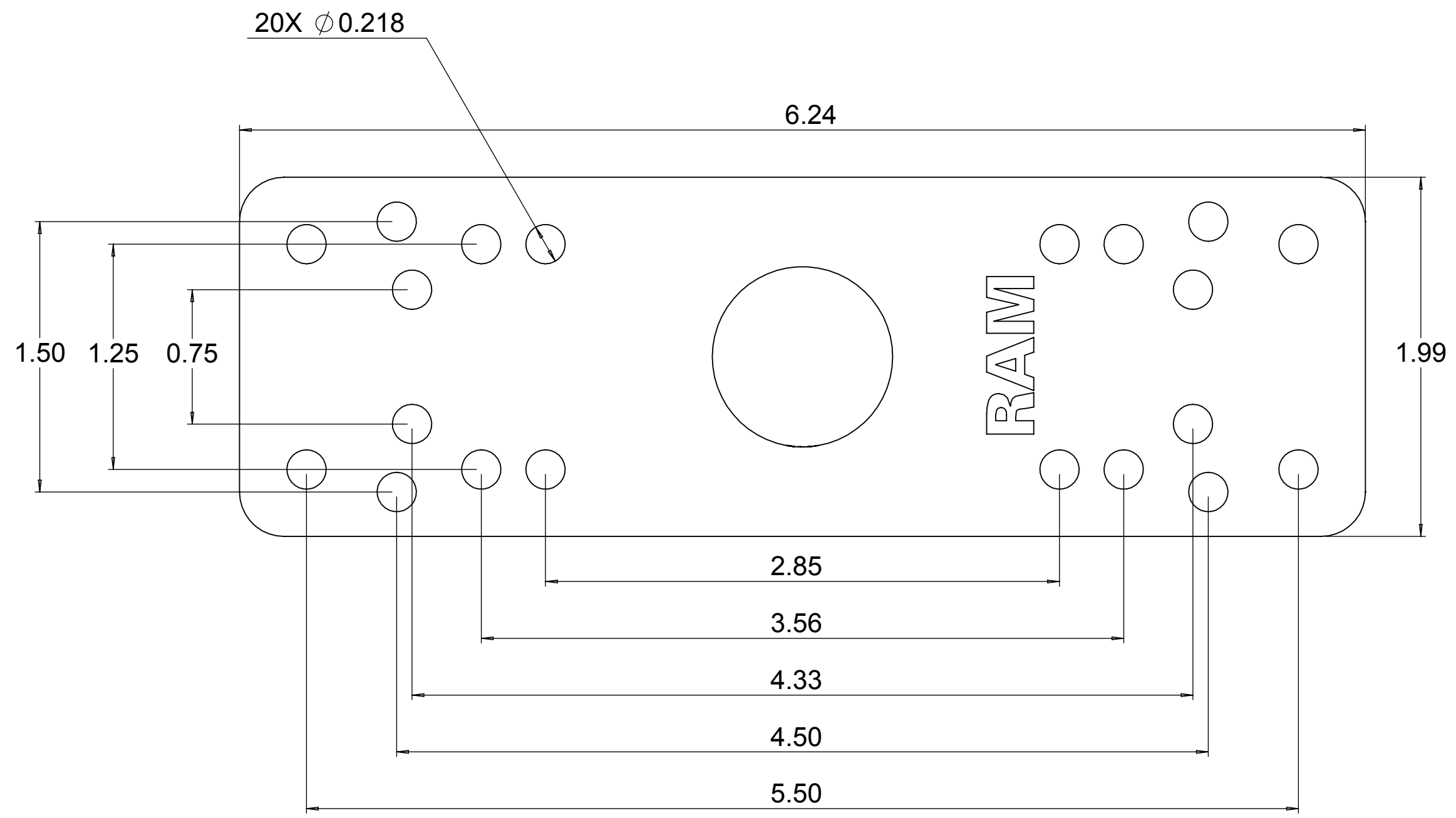
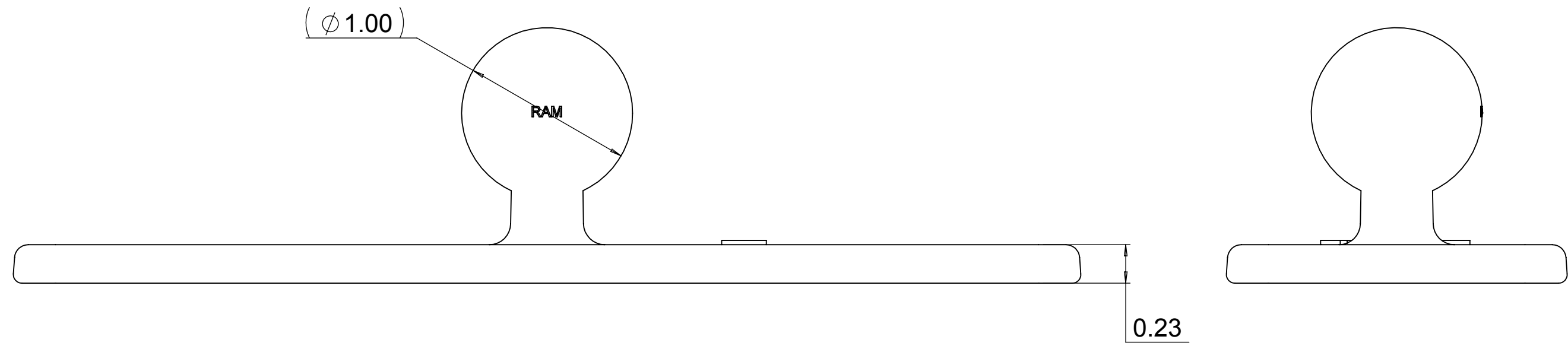


THE INFORMATION CONTAINED IN THIS DRAWING IS THE SOLE PROPERTY OF NATIONAL PRODUCTS INC. ANY REPRODUCTION IN PART OR WHOLE WITHOUT THE WRITTEN PERMISSION OF NATIONAL PRODUCTS INC. IS PROHIBITED.

REVISIONS		DATE	APPROVED
REV.	DESCRIPTION		



UNLESS OTHERWISE SPECIFIED DIMENSIONS ARE IN INCHES TOLERANCES ARE: FRACTIONS DECIMALS ANGLES + - 1/32 .XX+ -.06 + - 1 DEG. .XXX+ -.030	CAD GENERATED DRAWING. DO NOT MANUALLY UPDATE		NATIONAL PRODUCTS INC.	
	APPROVALS	DATE	DESCRIPTION	
	DRAWN: SMG	06/18/18	2" X 6 1/4" ELEC. BRKT	
	CHECKED			
MATERIAL	ALUMINUM	RESP ENG		
FINISH	BLACK POWDER COAT	MFG ENG		
DO NOT SCALE DRAWING		QUAL ENG		
	SIZE	DWG. NO.	REV.	
	C	RAM-B-111BU		
	SCALE	TO 1	CAD FILE:	SHEET 1 OF 1