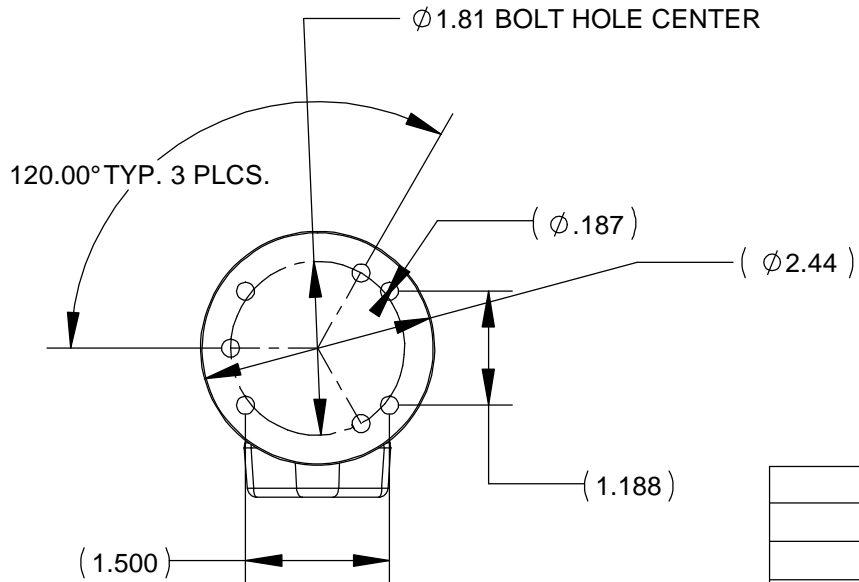
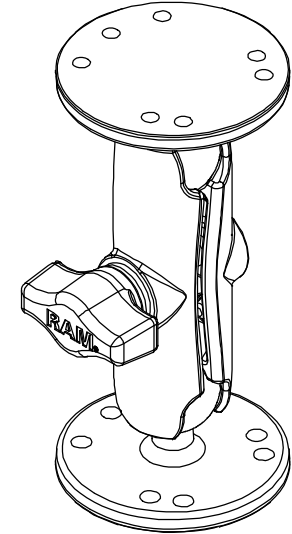
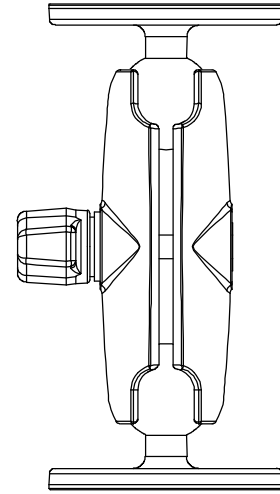
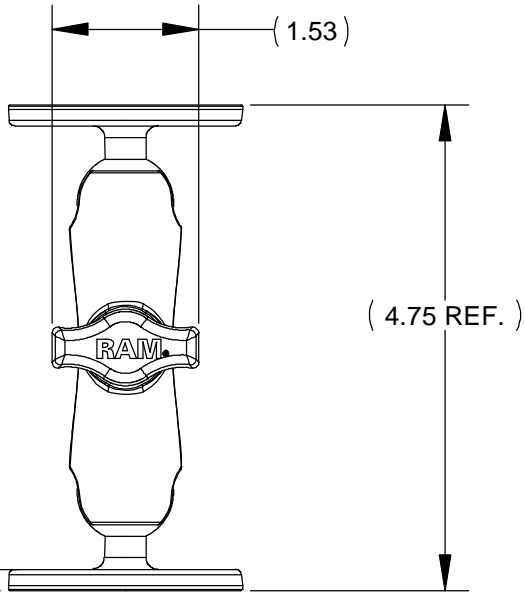


THE INFORMATION CONTAINED IN THIS DRAWING IS THE SOLE PROPERTY OF NATIONAL PRODUCTS INC. ANY REPRODUCTION IN PART OR WHOLE WITHOUT THE WRITTEN PERMISSION OF NATIONAL PRODUCTS INC. IS PROHIBITED.



NEXT ASSY	USED ON
APPLICATION	

ITEM NO.	PART OR IDENTIFYING NO.	NOMENCLATURE OR DESCRIPTION	MATERIAL SPECIFICATION	QTY REQD
PARTS LIST				
UNLESS OTHERWISE SPECIFIED DIMENSIONS ARE IN INCHES		CAD GENERATED DRAWING, DO NOT MANUALLY UPDATE		NATIONAL PRODUCTS INC. 1017 S. ELMGROVE ST. SEATTLE, WA 98108
TOLERANCES ARE:		APPROVALS	DATE	
FRACTIONS	DECIMALS	ANGLES		RAM MOUNT WITH 2- 2.43" DIA. BASES & 1" DIA. RUBBER BALLS
+ - 1/32	.XX+ -.06	+ - 1 DEG.	DRAWN JDC 04/29/12	
	.XXX+ -.030		CHECKED CMR 04/29/12	
MATERIAL		RESP ENG		
ALUMINUM, STST, BRASS, NYLON		MFG ENG		
FINISH		QUAL ENG		
BLACK POWDER COAT				
DO NOT SCALE DRAWING				
SIZE A	DWG. NO. RAM-B-101			REV.
SCALE	CAD FILE:	RAMB101	SHEET 1	OF 1