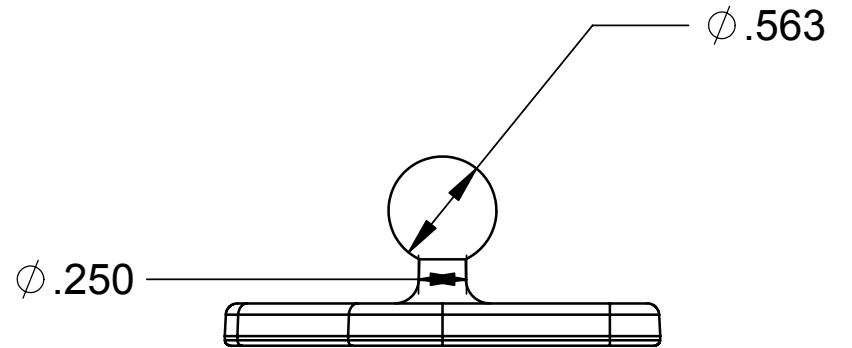
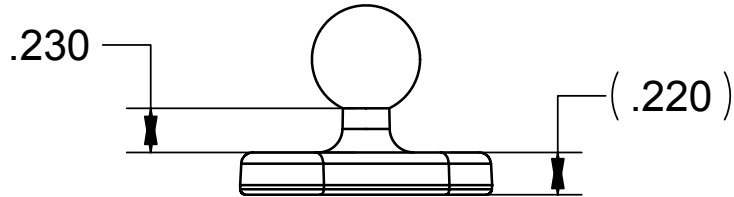
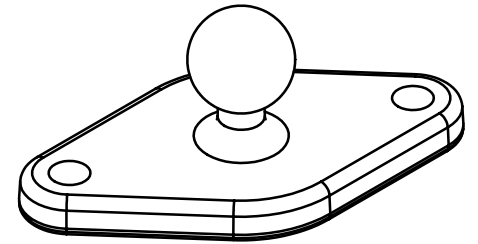
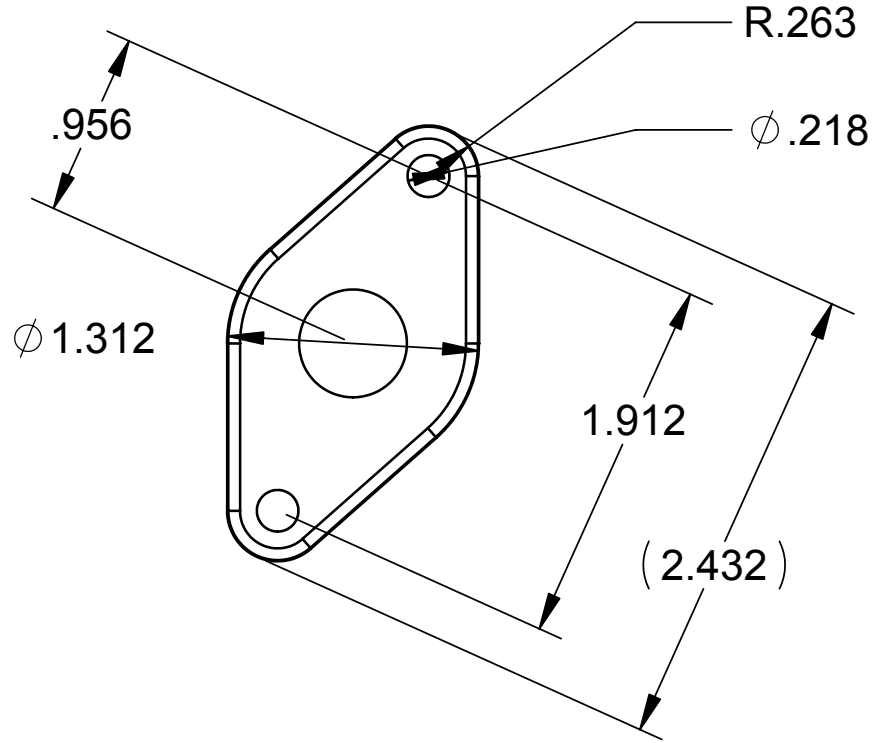


THE INFORMATION CONTAINED IN THIS DRAWING IS THE SOLE PROPERTY OF NATIONAL PRODUCTS INC. ANY REPRODUCTION IN PART OR WHOLE WITHOUT THE WRITTEN PERMISSION OF NATIONAL PRODUCTS INC. IS PROHIBITED.



| | | | | |
|--|--|----------|---|--------------|
| UNLESS OTHERWISE SPECIFIED DIMENSIONS ARE IN INCHES TOLERANCES ARE: FRACTIONS DECIMALS ANGLES +- 1/32 .XX+-.03 +- 1 DEG. .XXX+-.010 | CAD GENERATED DRAWING. DO NOT MANUALLY UPDATE | | NATIONAL PRODUCTS INC. 1017 S. ELMGROVE ST. SEATTLE, WA 98108 | |
| | APPROVALS | DATE | RAM DIAMOND BASE WITH 9/16" BALL | |
| | DRAWN JDC | 03/23/00 | | |
| | CHECKED CMR | 04/20/01 | | |
| MATERIAL ALUMINUM | RESP ENG | SIZE A | DWG. NO. RAM-A-238 | REV. |
| FINISH BLACK POWDER COAT | MFG ENG | SCALE | CAD FILE: RAMA238 | SHEET 1 OF 1 |
| DO NOT SCALE DRAWING | QUAL ENG | | | |