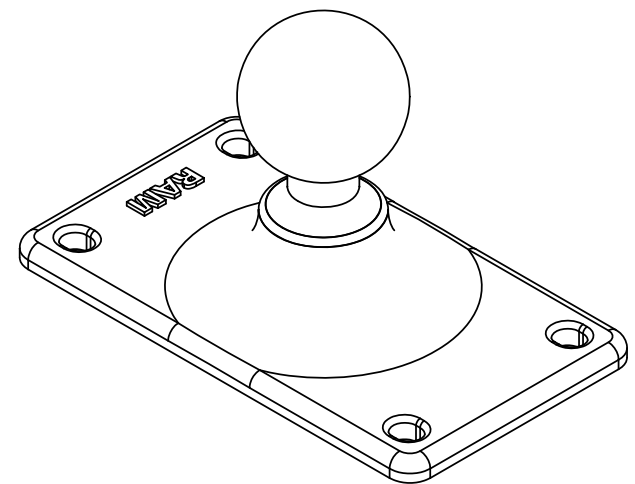
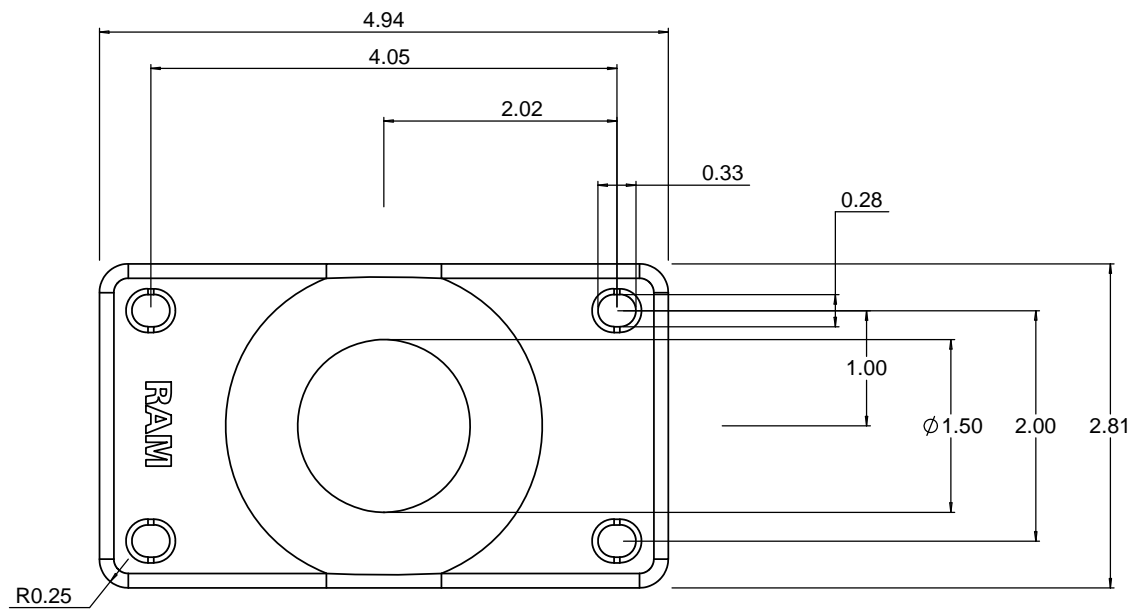
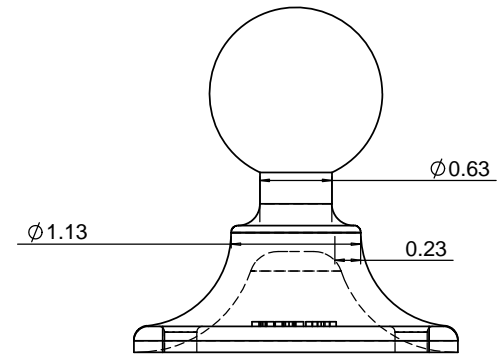
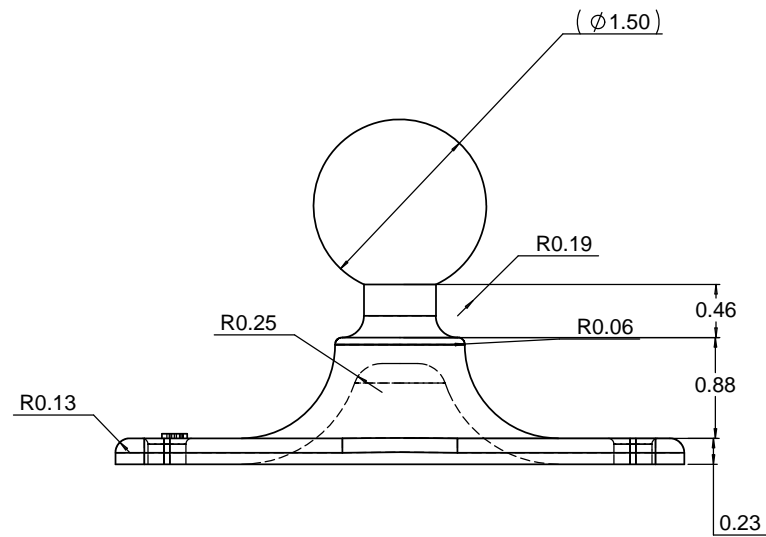


THE INFORMATION CONTAINED IN THIS DRAWING IS THE SOLE PROPERTY OF NATIONAL PRODUCTS INC. ANY REPRODUCTION IN PART OR WHOLE WITHOUT THE WRITTEN PERMISSION OF NATIONAL PRODUCTS INC. IS PROHIBITED.

REV		DESCRIPTION	REVISIONS	DATE	APPROVED



UNLESS OTHERWISE SPECIFIED DIMENSIONS ARE IN INCHES TOLERANCES ARE: FRACTIONS DECIMALS ANGLES + 1/32 - .006 + .1 DEG. XXX - .030	CAD GENERATED DRAWING. DO NOT MANUALLY UPDATE		NATIONAL PRODUCTS INC.	
	APPROVALS	DATE	RAM MOUNT BASE WITH 1 1/2" DIA. BALL HALF VESA HOLE PATTERN	
MATERIAL	DRAWN	CHECKED	DATE	REV
ALUMINUM	JDC	CMR	07/23/02	A
FRESH BLACK POWDER COAT	DESIGNED	INSPECTED	DATE	SCALE
DO NOT SCALE DRAWING	DUAL ENG	QUAL ENG	SCALE 1 TO 1	CAD FILE: RAM243
				SHEET 1 OF 1