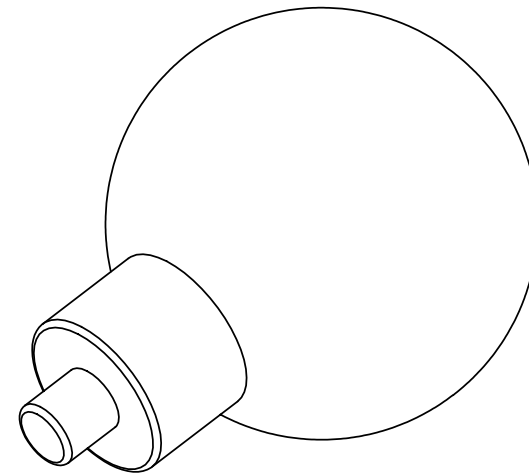
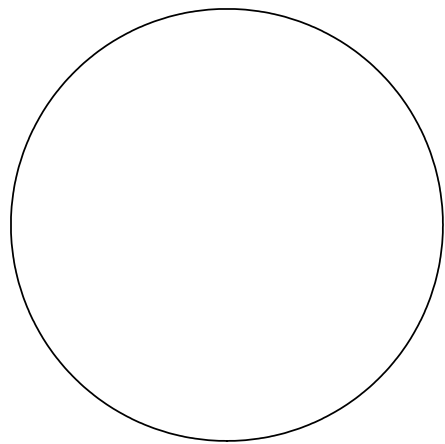
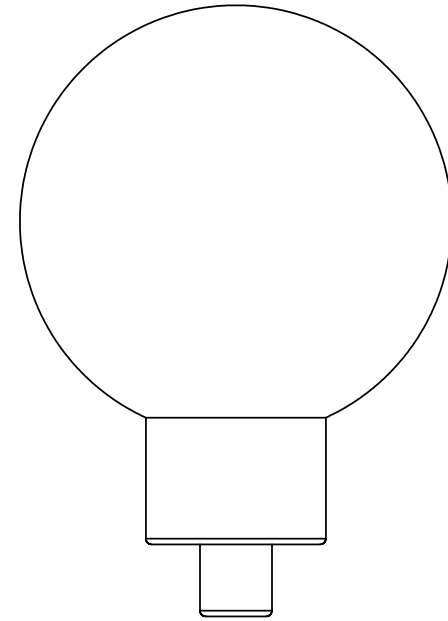
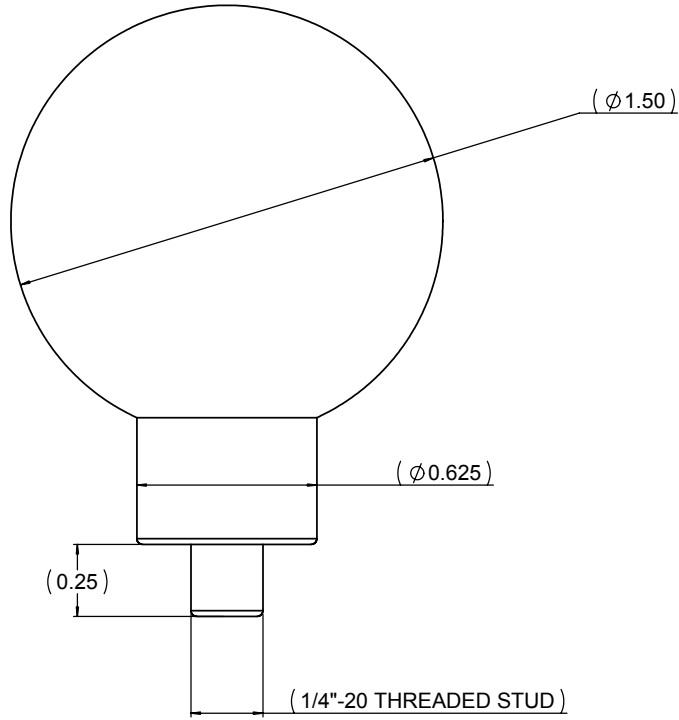


THE INFORMATION CONTAINED IN THIS DRAWING IS THE SOLE PROPERTY OF NATIONAL PRODUCTS INC. ANY REPRODUCTION IN PART OR WHOLE WITHOUT THE WRITTEN PERMISSION OF NATIONAL PRODUCTS INC. IS PROHIBITED.

REV.		DESCRIPTION	DATE	APPROVED



UNLESS OTHERWISE SPECIFIED DIMENSIONS ARE IN INCHES TOLERANCES ARE: FRACTIONS: DECIMALS ANGLES +/- 1/32 .XX+-.06 +/- 1 DEG. .XXX+-.030	CAD GENERATED DRAWING. DO NOT MANUALLY UPDATE	NATIONAL PRODUCTS INC.	
MATERIAL: ALUMINUM	APPROVALS: DRAWN: JDC 04/08/02 CHECKED: CMR 04/08/02 RESP ENG	DATE: 04/08/02	RAM 1 1/2" DIAMETER RUBBER BALL WITH 1/4"-20 THREADED STUD
FINISH: BLACK POWDER COAT	QUAL ENG	SCALE: 1 TO 1	REV.:
DO NOT SCALE DRAWING	SCALE: 1 TO 1	CAD FILE: RAM237	SHEET 1 OF 1