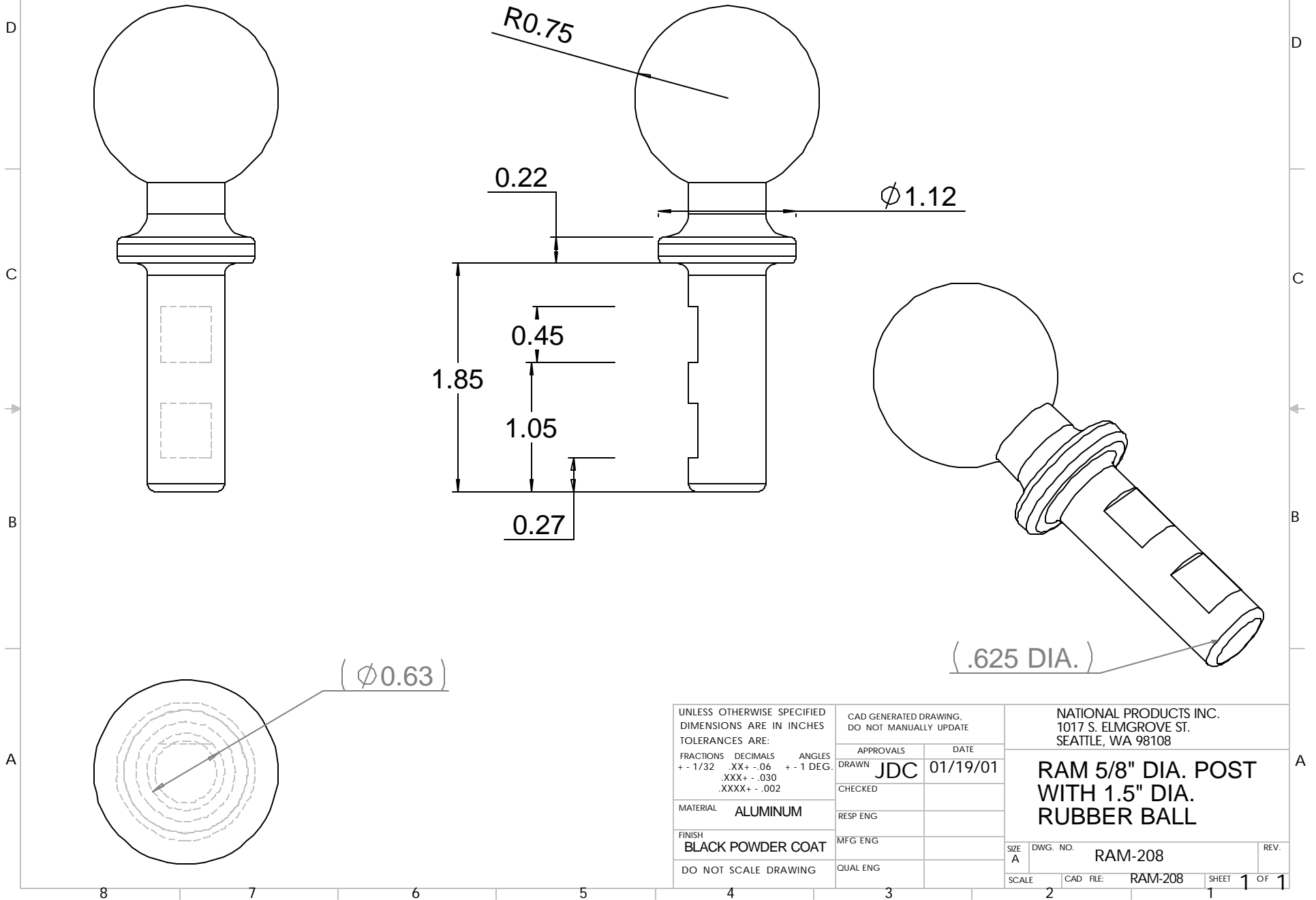


THE INFORMATION CONTAINED IN THIS DRAWING IS THE SOLE PROPERTY OF NATIONAL PRODUCTS INC. ANY REPRODUCTION IN PART OR WHOLE WITHOUT THE WRITTEN PERMISSION OF NATIONAL PRODUCTS INC. IS PROHIBITED.



|  |  |                            |  |  |
|--|--|----------------------------|--|--|
| UNLESS OTHERWISE SPECIFIED<br>DIMENSIONS ARE IN INCHES<br>TOLERANCES ARE:<br>FRACTIONS    DECIMALS    ANGLES<br>+ - 1/32    .XX+ -.06    + - 1 DEG.<br>.XXX+ -.030<br>.XXXX+ -.002 | CAD GENERATED DRAWING.<br>DO NOT MANUALLY UPDATE |                            | NATIONAL PRODUCTS INC.<br>1017 S. ELMGROVE ST.<br>SEATTLE, WA 98108            |  |
|  | APPROVALS  | DATE                       | <b>RAM 5/8" DIA. POST<br/>         WITH 1.5" DIA.<br/>         RUBBER BALL</b> |  |
|  | DRAWN <b>JDC</b>                                 | 01/19/01                   |  |  |
|  | CHECKED  |                            |  |  |
| MATERIAL <b>ALUMINUM</b>   | RESP ENG   |                            |  |  |
| FINISH <b>BLACK POWDER COAT</b>  | MFG ENG  |                            |  |  |
| DO NOT SCALE DRAWING   | QUAL ENG   |                            |  |  |
| SIZE <b>A</b>  | DWG. NO. <b>RAM-208</b>                          | REV.                       |  |  |
| SCALE  | CAD FILE: <b>RAM-208</b>                         | SHEET <b>1</b> OF <b>1</b> |  |  |