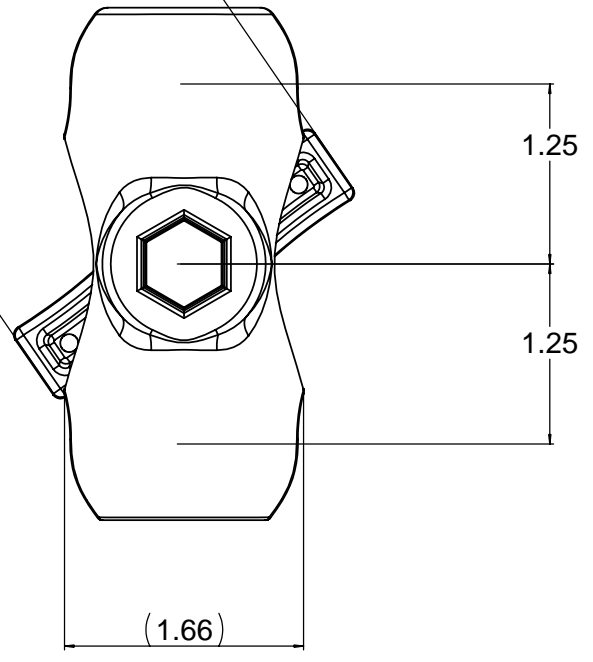


8 7 6 5 4 3 2 1
THE INFORMATION CONTAINED IN THIS DRAWING IS THE SOLE PROPERTY OF NATIONAL PRODUCTS INC. ANY REPRODUCTION IN PART OR WHOLE WITHOUT THE WRITTEN PERMISSION OF NATIONAL PRODUCTS INC. IS PROHIBITED.

REV.	DESCRIPTION	REVISIONS	DATE	APPROVED

(2.52)



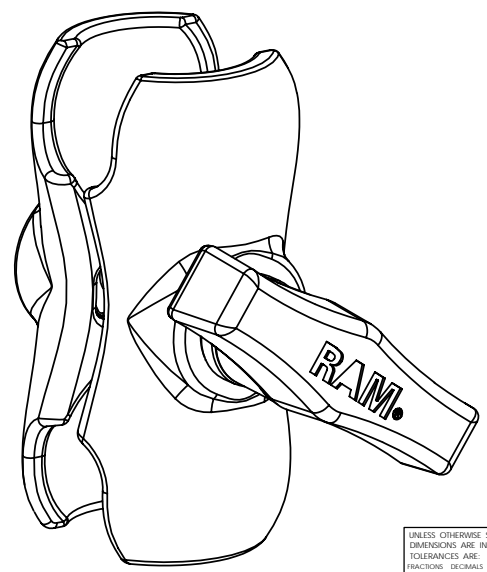
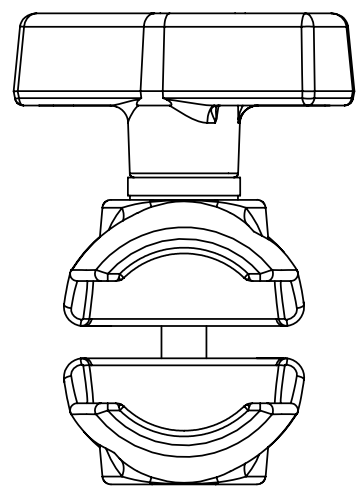
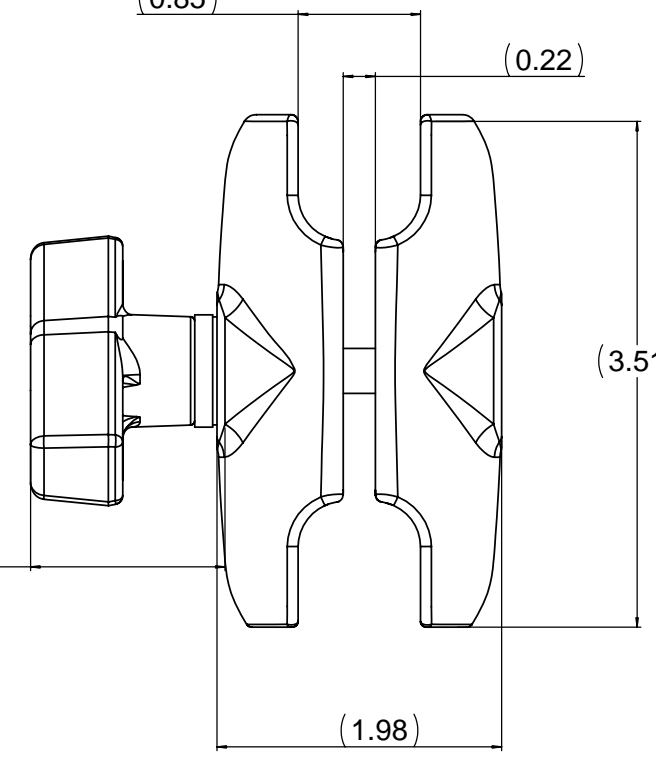
(0.85)

(0.22)

(1.35)

(1.98)

(3.51)



UNLESS OTHERWISE SPECIFIED DIMENSIONS ARE IN INCHES TOLERANCES ARE: FRACTIONS: DECIMALS ANGLES + 1/32 - .005 + .1 DEG. XXXX - .010		CAD GENERATED DRAWING. DO NOT MANUALLY UPDATE		NATIONAL PRODUCTS INC.	
APPROVALS		DATE		DRAWN JDC 1/22/04	
CHECKED CMR 1/22/04		MFG ENG		QUAL ENG	
MATERIAL 3003 ALUMINUM		FINISH BLACK POWDER COAT		PART NO. RAM-201-B	
DO NOT SCALE DRAWING		SCALE 1 TO 1		CADD FILE: RAMZ01B SHEET 1 OF 1	