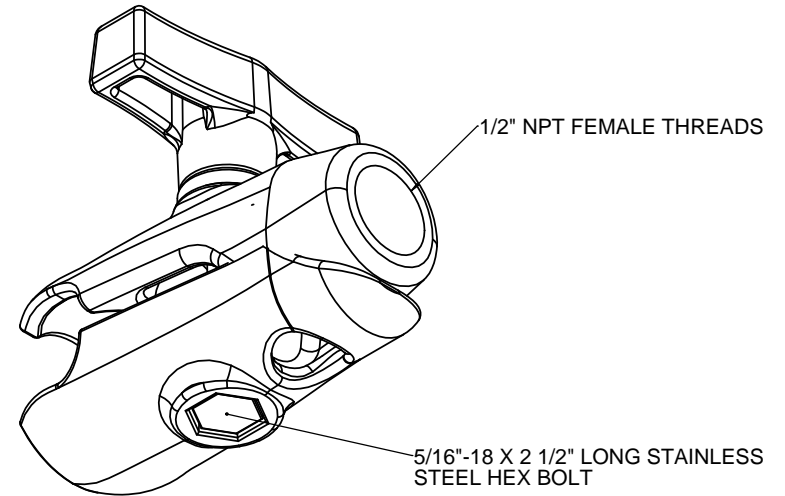
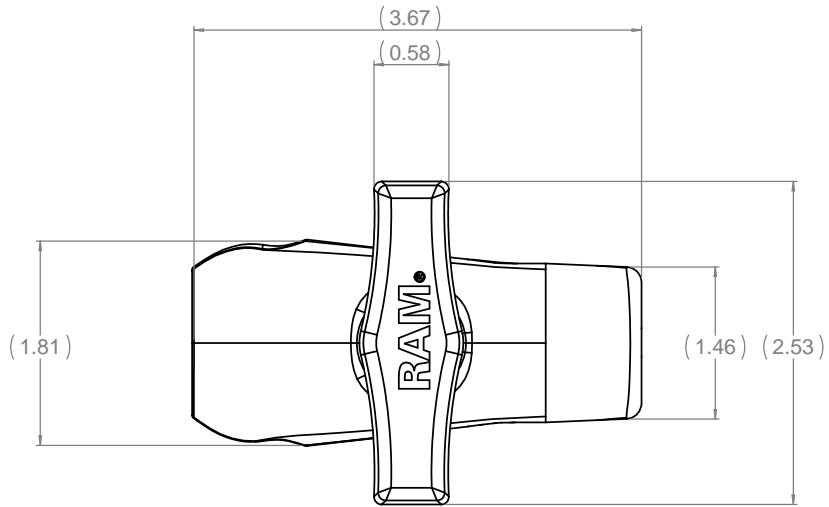
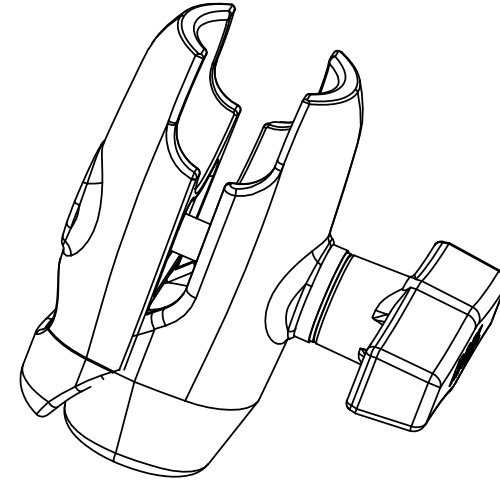
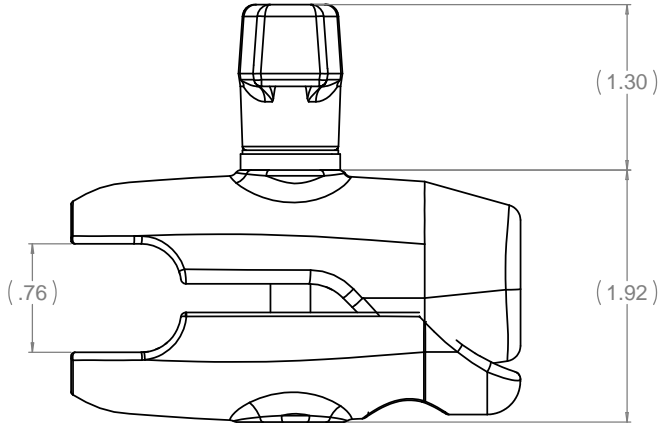


THE INFORMATION CONTAINED IN THIS DRAWING IS THE SOLE PROPERTY OF NATIONAL PRODUCTS INC. ANY REPRODUCTION IN PART OR WHOLE WITHOUT THE WRITTEN PERMISSION OF NATIONAL PRODUCTS INC. IS PROHIBITED.

REVISIONS		DATE	APPROVED
REV.	DESCRIPTION		



UNLESS OTHERWISE SPECIFIED DIMENSIONS ARE IN INCHES		CAD GENERATED DRAWING. DO NOT MANUALLY UPDATE		NATIONAL PRODUCTS INC.	
TOLERANCES ARE:		APPROVALS		DATE	
FRACTIONS: DECIMALS ANGLES		DRAWN JDC		09/05/14	
+ .102 - .000 + .06 - .01 DEG.		CHECKED CMR		09/05/14	
.XXX+ - .030		RESP ENG			
MATERIAL: ALUMINUM 6061-T6 BRASS BRASS/STAINLESS		MFG ENG			
FINISH: BLACK POWDER COAT		QUAL ENG			
DO NOT SCALE DRAWING		SCALE TO 1		DWG. NO. RAM-200-1	
				REV. C	
				SCALE TO 1 CAD FILE: RAM2001 SHEET 1 OF 1	