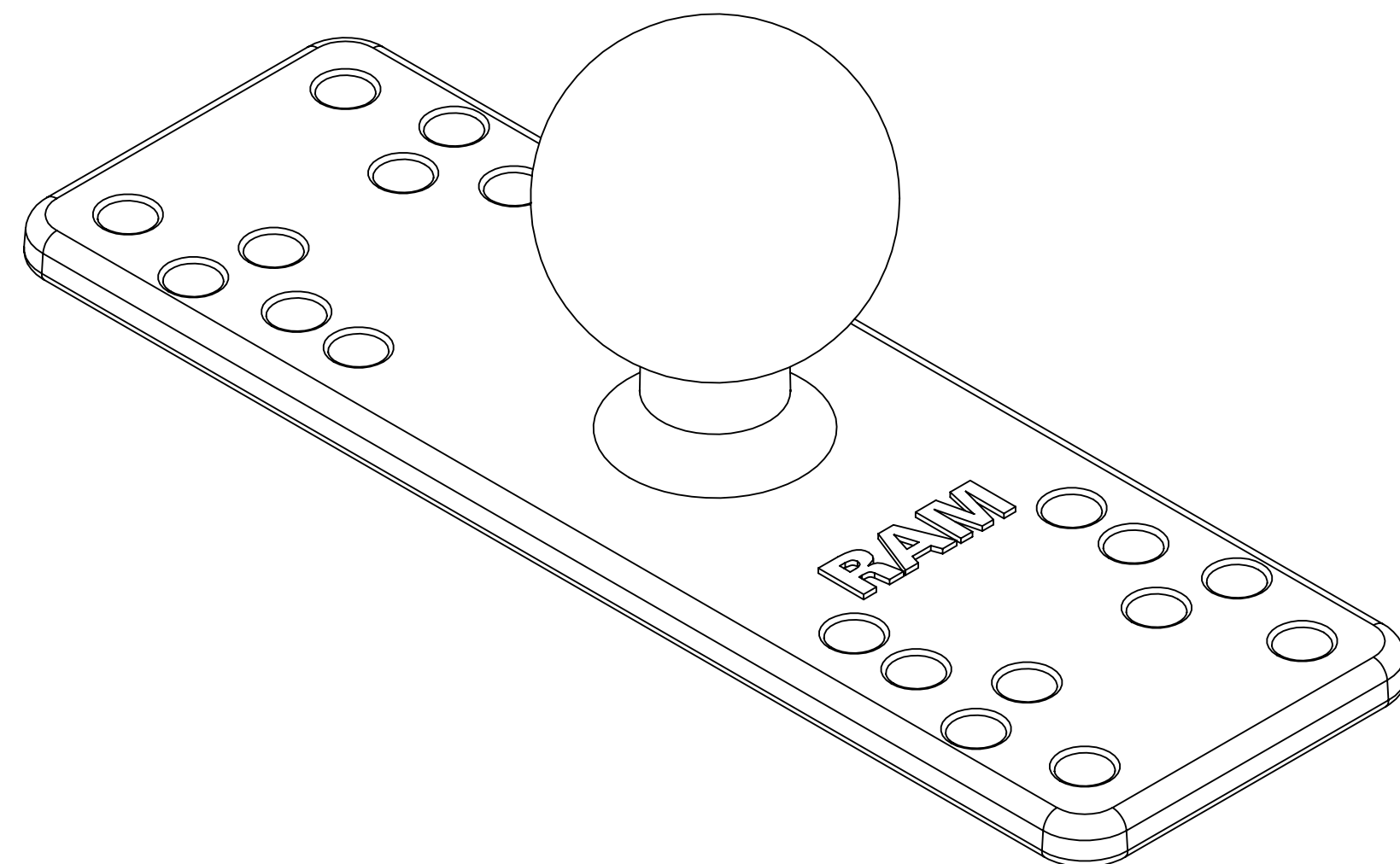
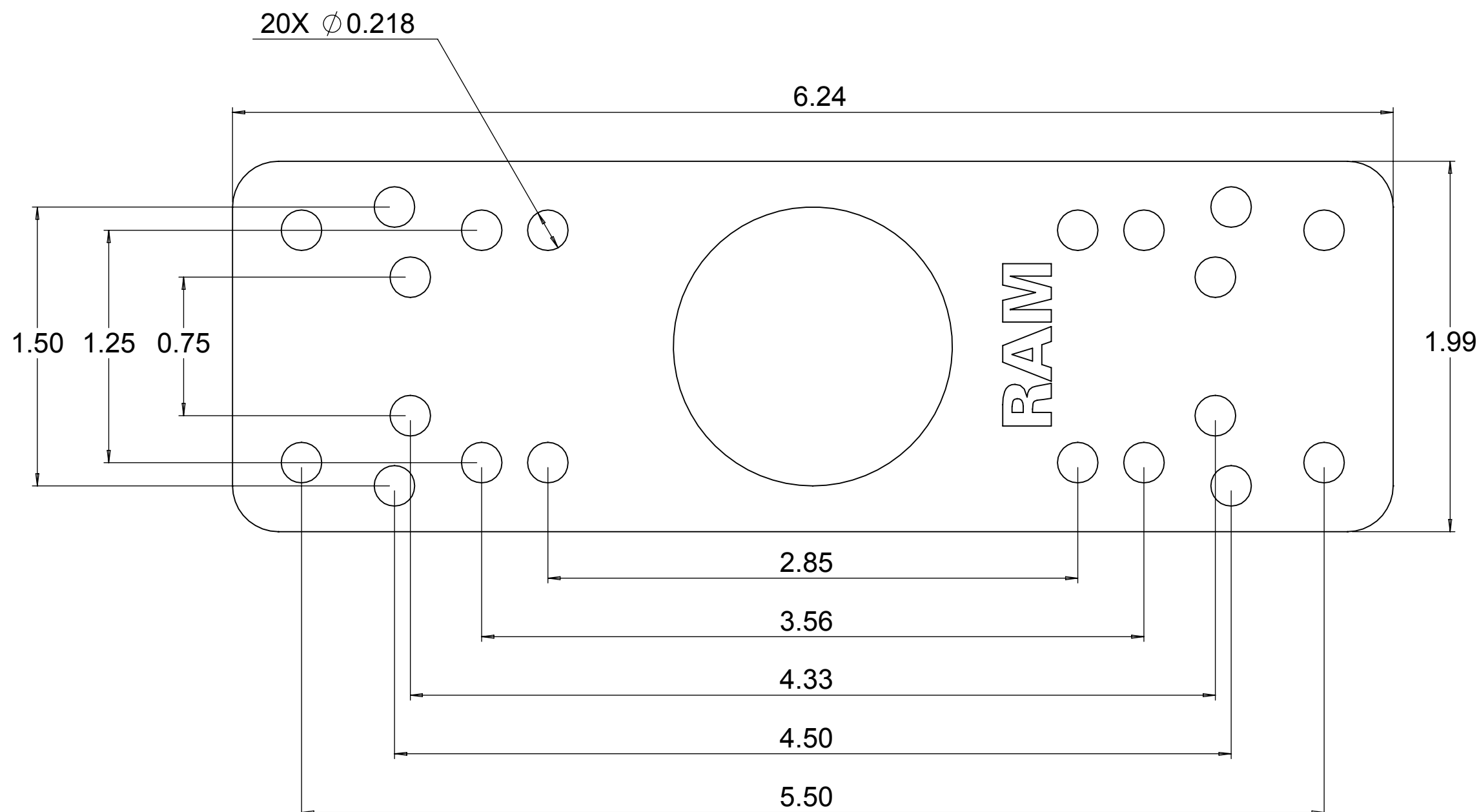
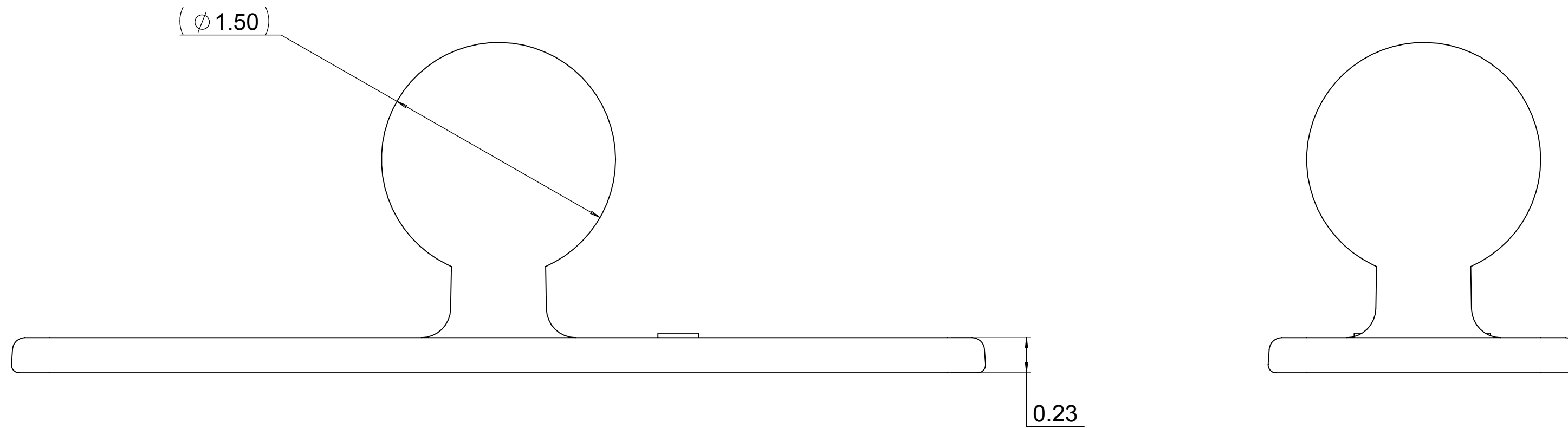


THE INFORMATION CONTAINED IN THIS DRAWING IS THE SOLE PROPERTY OF NATIONAL PRODUCTS INC. ANY REPRODUCTION IN PART OR WHOLE WITHOUT THE WRITTEN PERMISSION OF NATIONAL PRODUCTS INC. IS PROHIBITED.

| REVISIONS | | DATE | APPROVED |
|-----------|-------------|------|----------|
| REV. | DESCRIPTION | | |
| | | | |
| | | | |



| | | |
|---|---|---------------------------------------|
| UNLESS OTHERWISE SPECIFIED DIMENSIONS ARE IN INCHES. TOLERANCES ARE: FRACTIONS DECIMALS ANGLES + - 1/32 .XX+ -.06 + - 1 DEG. .XXX+ -.030 | CAD GENERATED DRAWING. DO NOT MANUALLY UPDATE. | NATIONAL PRODUCTS INC. |
| MATERIAL ALUMINUM | APPROVALS DRAWN: SMG CHECKED: _____ RESP ENG: _____ | DESCRIPTION 2" X 6 1/4" ELEC. BRKT |
| FINISH BLACK POWDER COAT | MFG ENG QUAL ENG | SIZE (DWG. NO.) C RAM-111BU |
| DO NOT SCALE DRAWING | | SCALE: 1 TO 1 CAD FILE: SHEET 1 OF 1 |