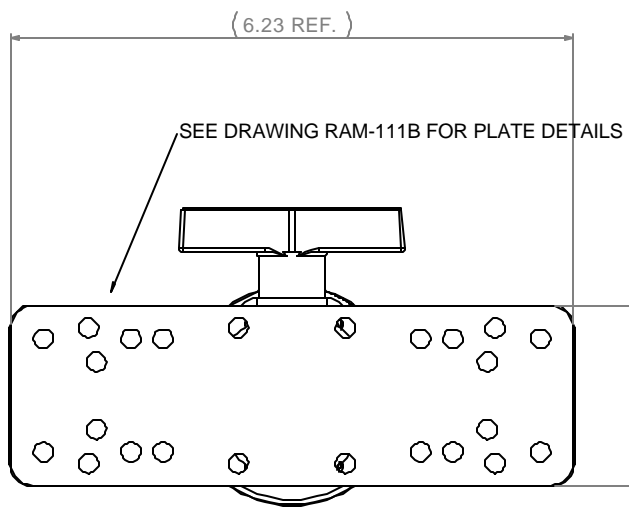
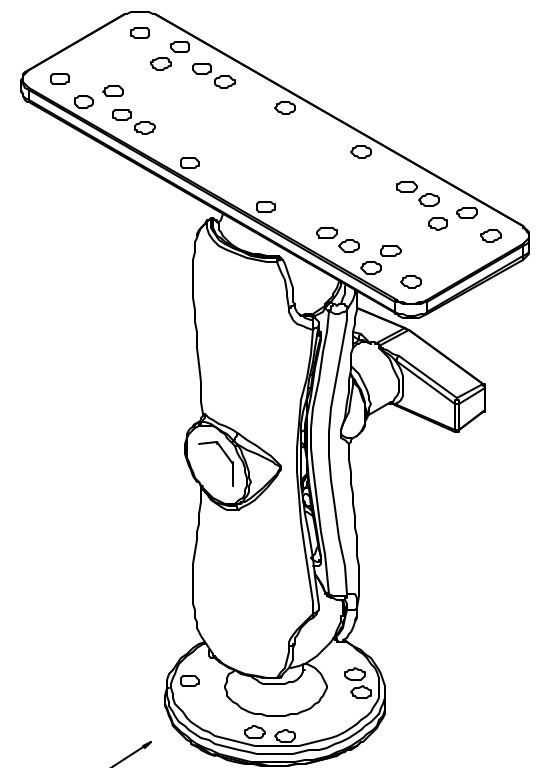
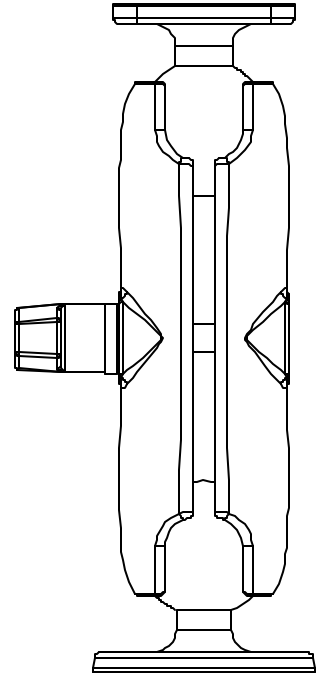
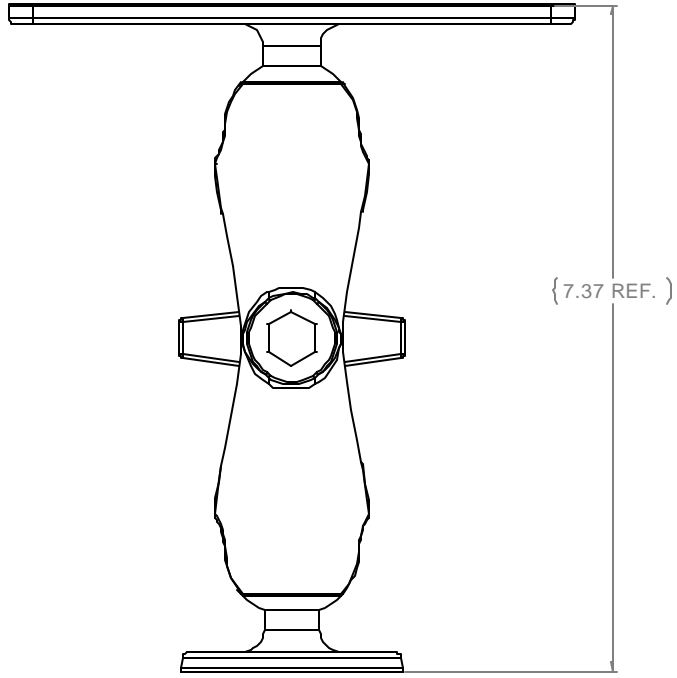


THE INFORMATION CONTAINED IN THIS DRAWING IS THE SOLE PROPERTY OF NATIONAL PRODUCTS INC. ANY REPRODUCTION IN PART OR WHOLE WITHOUT THE WRITTEN PERMISSION OF NATIONAL PRODUCTS INC. IS PROHIBITED.

REV	DESCRIPTION	REVISION	DATE	APPROVED



SEE DRAWING RAM-202 FOR BASE DETAILS

<small>UNLESS OTHERWISE SPECIFIED DIMENSIONS ARE IN INCHES TOLERANCES ARE: FRACTIONS DECIMALS ANGLES + .125 - .001 - .001 - .001 XXX - .030</small>	<small>CAD GENERATED DRAWING DO NOT MANUALLY UPDATE</small>	NATIONAL PRODUCTS INC.		
	<small>APPROVALS</small> JDC 01/19/01	<small>RAM MOUNT WITH ONE 2.43" DIA. BASE, ONE 2" X 6.5" BASE AND 1 1/2" DIA. RUBBER BALLS</small>		
	<small>CHECKED</small> CMR 04/20/01	<small>DATE</small>	<small>REV</small>	<small>SCALE 1:1 (1/4"=1")</small>
	<small>MATERIAL</small> ALUMINUM	<small>ISSUE NO.</small> RAM-111	<small>SHEET</small>	<small>OF</small>