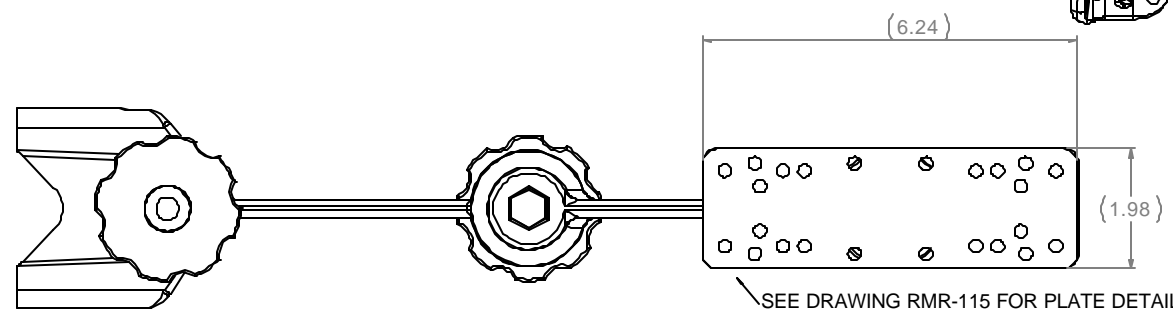
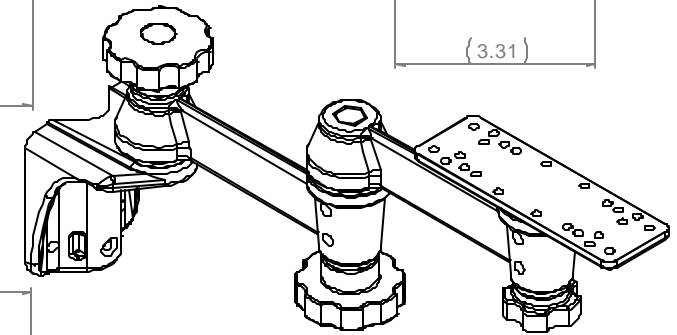
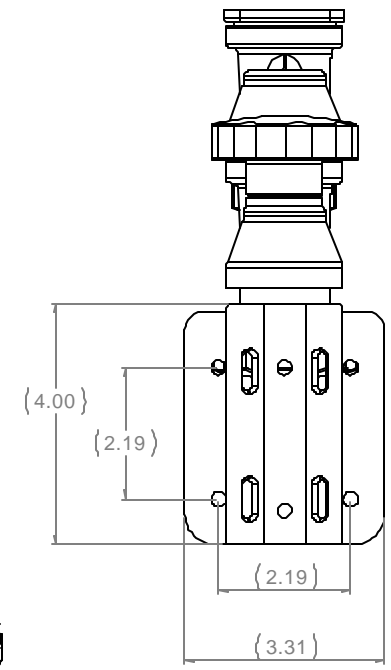
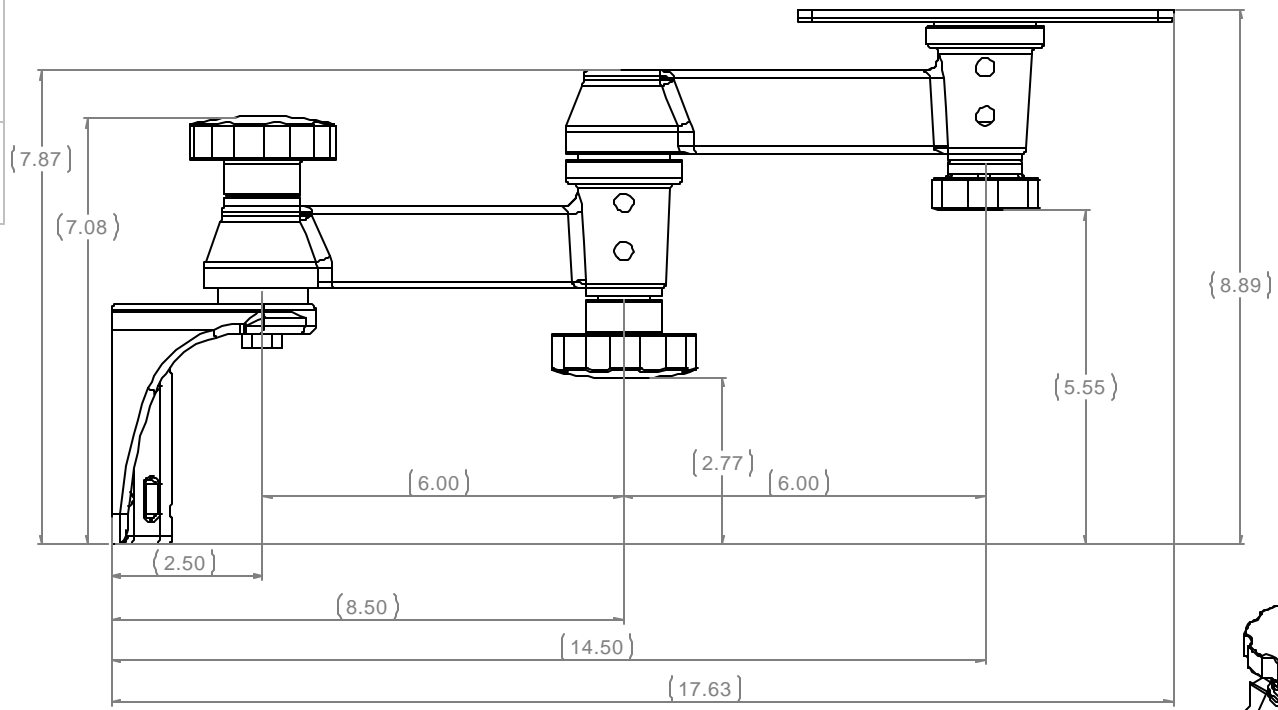


THE INFORMATION CONTAINED IN THIS DRAWING IS THE SOLE PROPERTY OF NATIONAL PRODUCTS INC. ANY REPRODUCTION IN PART OR WHOLE WITHOUT THE WRITTEN PERMISSION OF NATIONAL PRODUCTS INC. IS PROHIBITED.

REV	DESCRIPTION	REVISION	DATE	APPROVED



<small>UNLESS OTHERWISE SPECIFIED DIMENSIONS ARE IN INCHES TOLERANCES ARE: FRACTIONS DECIMALS ANGLES - - - 1/32 .XX - .00 - - 1 DEG XXX - .000</small>	<small>CAD GENERATED DRAWING DO NOT MANUALLY UPDATE</small>	<small>NATIONAL PRODUCTS INC.</small>	
	<small>APPROVALS</small> DRAWING: JDC 01/19/01 CHECKER: CMR 04/20/01	<small>RAM VERTICAL BASE WITH DOUBLE 6" SWING ARMS AND 2" X 6.25" PLATE</small>	
	<small>MATERIAL</small> ALUMINUM	<small>FINISH</small> BLACK POWDER COAT	<small>REV</small> RAM-109V-1
	<small>DO NOT SCALE DRAWING</small>	<small>SCALE</small> 1" = 1"	<small>SHEET</small> 1 OF 1