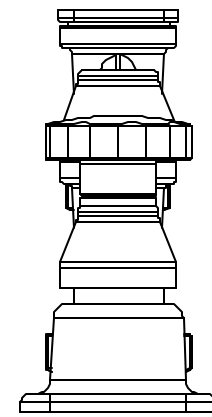
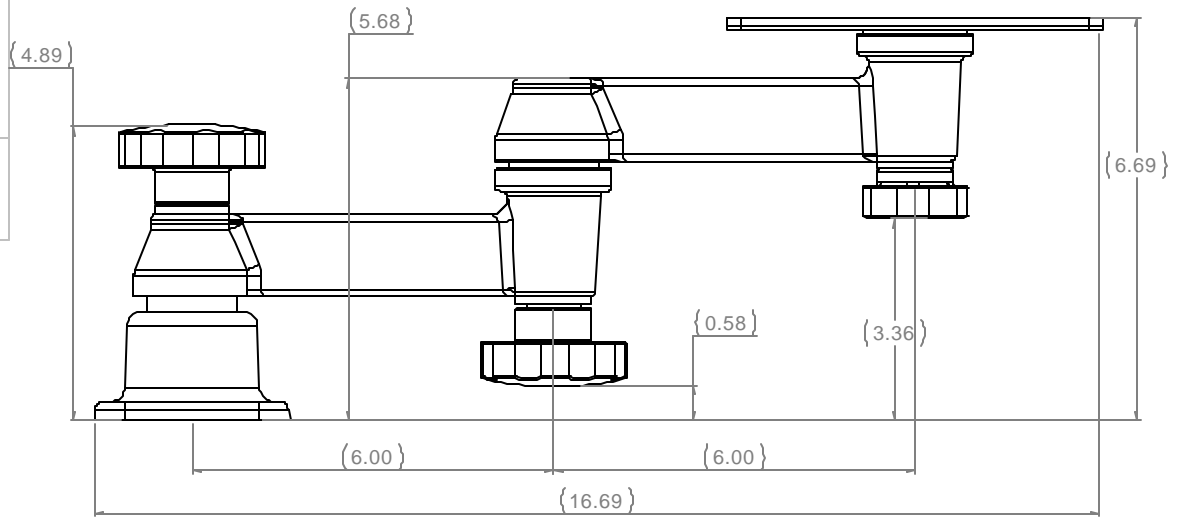
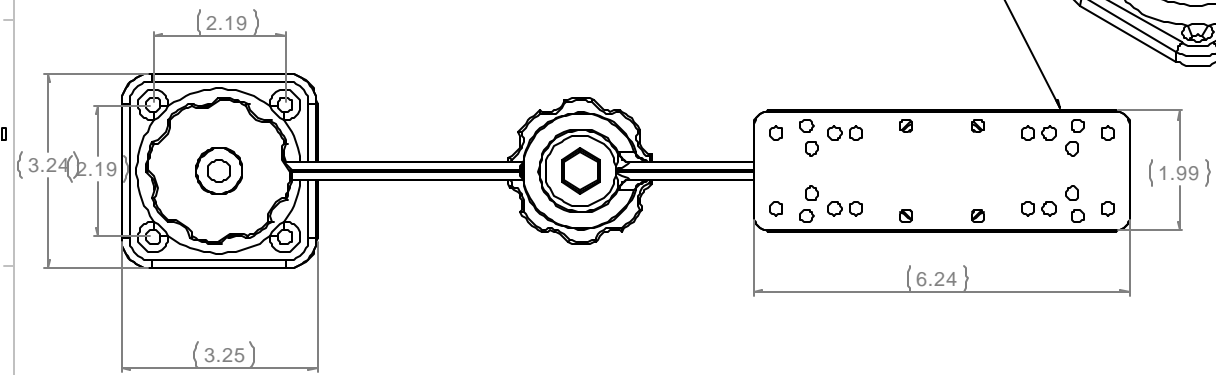
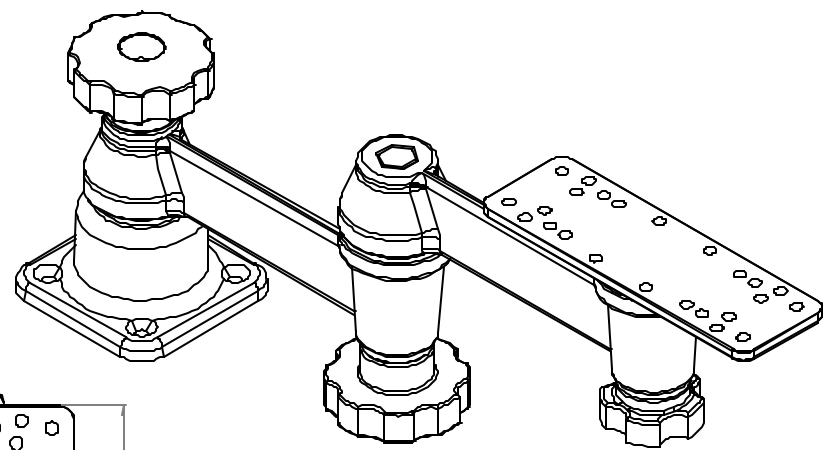


THE INFORMATION CONTAINED IN THIS DRAWING IS THE SOLE PROPERTY OF NATIONAL PRODUCTS INC. ANY REPRODUCTION IN PART OR WHOLE WITHOUT THE WRITTEN PERMISSION OF NATIONAL PRODUCTS INC. IS PROHIBITED.

| REV | DESCRIPTION | REVISION | DATE | APPROVED |
|-----|-------------|----------|------|----------|
| | | | | |
| | | | | |
| | | | | |



SEE DRAWING RMR-115 FOR PLATE DETAILS



| | | | |
|--|---|------------------------|--|
| UNLESS OTHERWISE SPECIFIED DIMENSIONS ARE IN INCHES TOLERANCES ARE: FRACTIONS DECIMALS ANGLES - .125 - .005 - .001 - .001 - .001 XXX - .000 | CAD GENERATED DRAWING DO NOT MANUALLY UPDATE | NATIONAL PRODUCTS INC. | |
| | APPROVALS | DATE | RAM HORIZONTAL BASE WITH DOUBLE 6" SWING ARMS AND 2" X 6.25" PLATE |
| | JDC | 04/20/01 | |
| | CHECKED CMR | 04/20/01 | REV RAM-109H-1 |
| MATERIAL ALUMINUM | REV ENG | | |
| FRESH BLACK POWDER COAT | REV ENG | REV | REV |
| DO NOT SCALE DRAWING | SCALE 1" = 1" CAD FILE | RAM109H1 | SHEET 1 OF 1 |