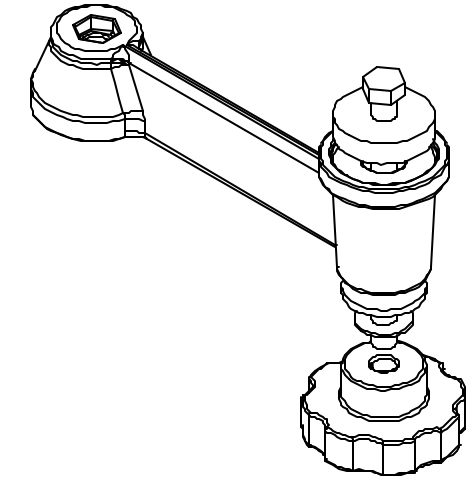
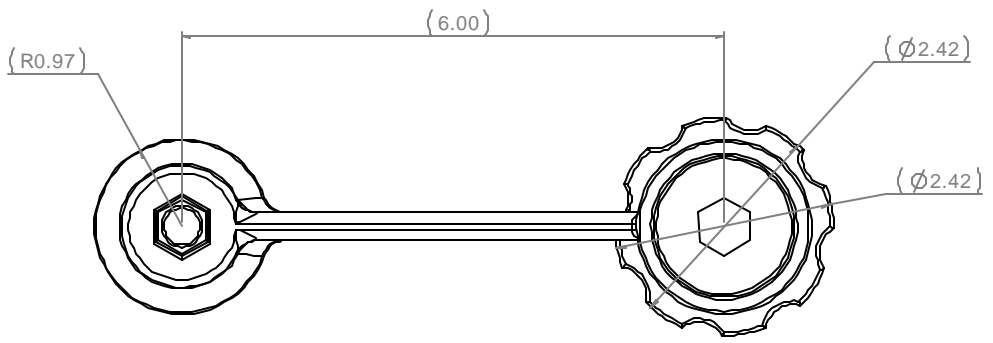
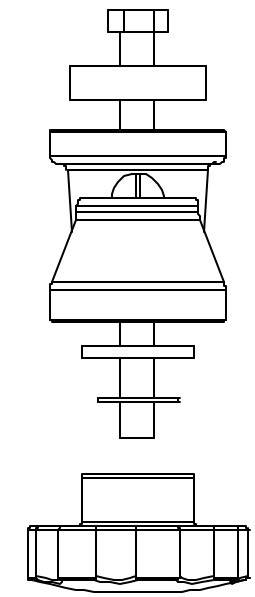
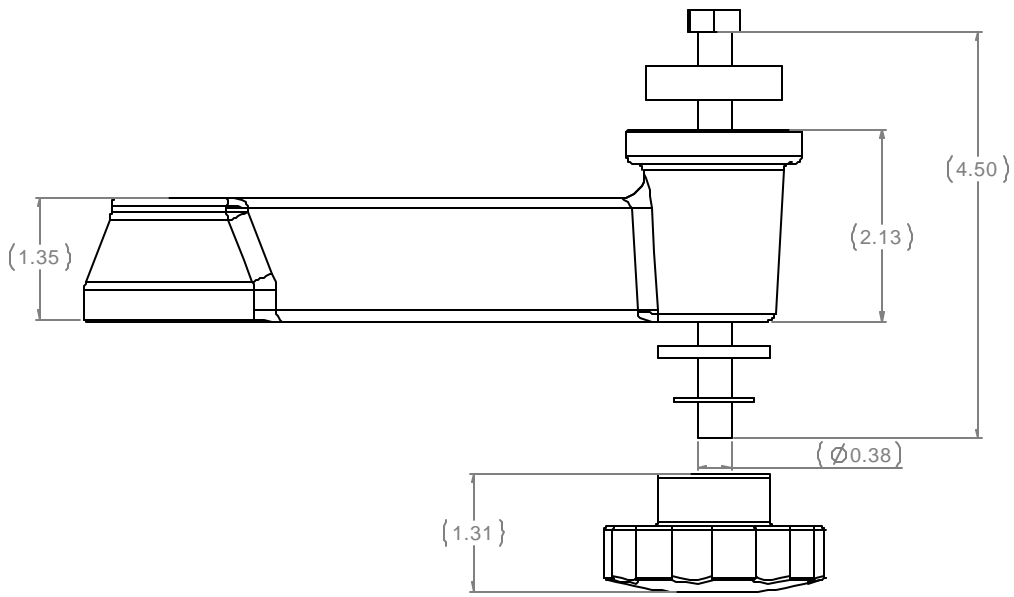


THE INFORMATION CONTAINED IN THIS DRAWING IS THE SOLE PROPERTY OF NATIONAL PRODUCTS INC. ANY REPRODUCTION IN PART OR WHOLE WITHOUT THE WRITTEN PERMISSION OF NATIONAL PRODUCTS INC. IS PROHIBITED.

REV	DESCRIPTION	REVISION	DATE	APPROVED



UNLESS OTHERWISE SPECIFIED DIMENSIONS ARE IN INCHES TOLERANCES ARE: FRACTIONS DECIMALS ANGLES - .125 - .001 - .01 - 1 DEG XXX - .020	CAD GENERATED DRAWING DO NOT MANUALLY UPDATE		NATIONAL PRODUCTS INC.	
	APPROVALS	DATE	RAM 6" SWING ARM EXTENSION	
	JDC	04/20/01		
	CMR	04/20/01		
MATERIAL	ALUMINUM			
FRESH	BLACK POWDER COAT			
DO NOT SCALE DRAWING				

REV	DATE	NO.	SCALE	TITLE	SHEET	OF
				RAM-109-1A		
				RAM1091A		