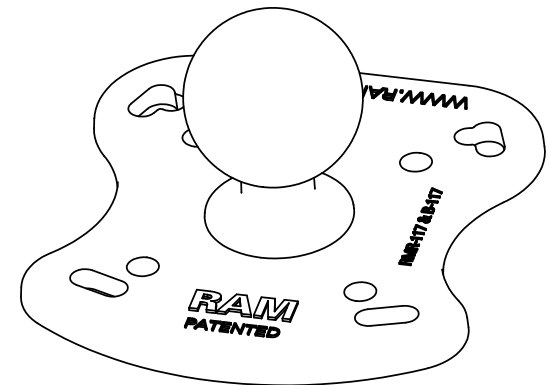
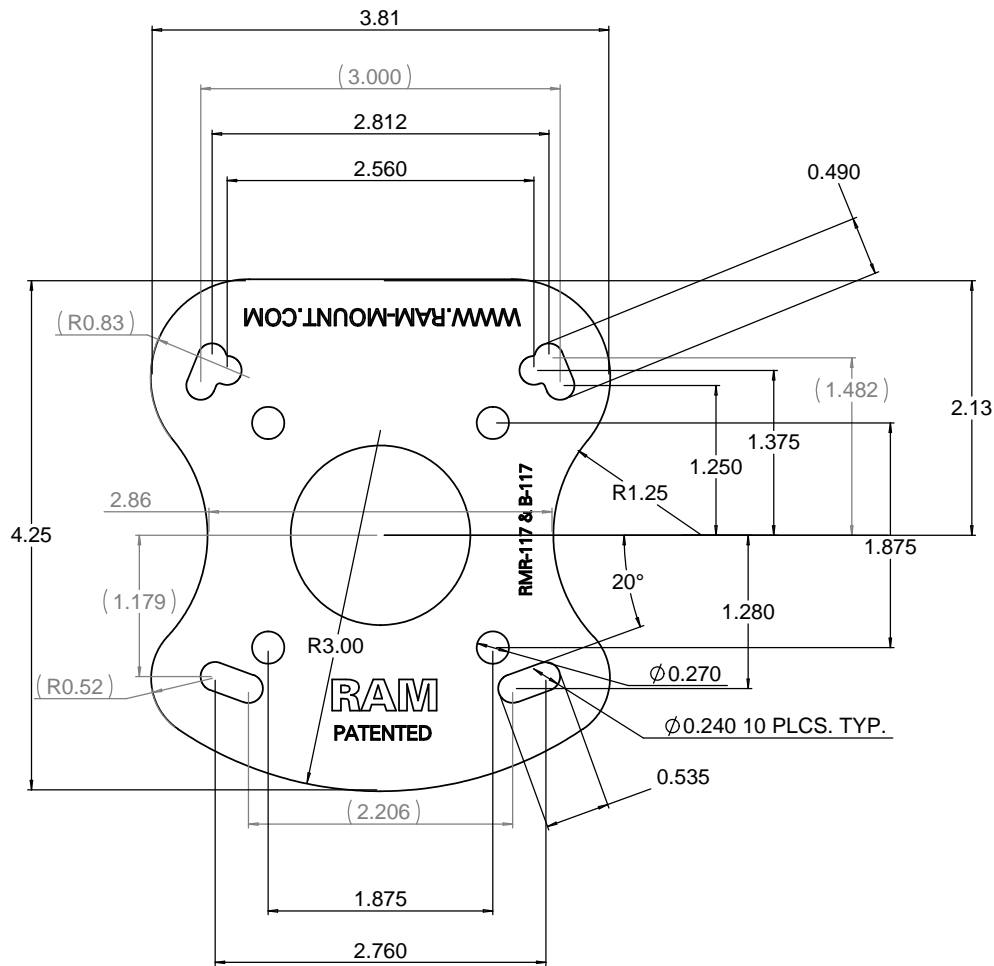
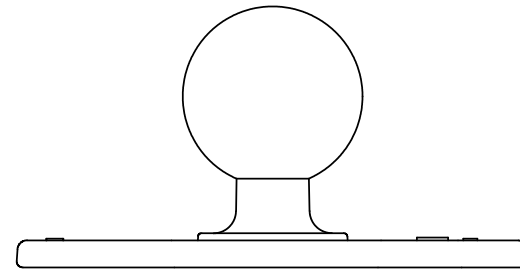
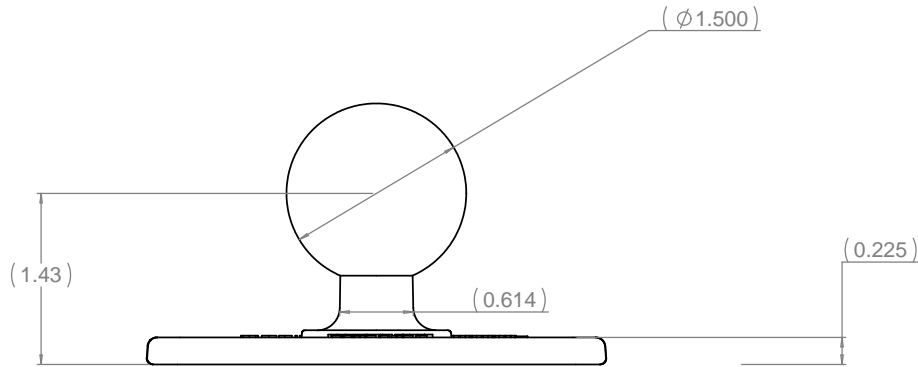


THE INFORMATION CONTAINED IN THIS DRAWING IS THE SOLE PROPERTY OF NATIONAL PRODUCTS INC. ANY REPRODUCTION IN PART OR WHOLE WITHOUT THE WRITTEN PERMISSION OF NATIONAL PRODUCTS INC. IS PROHIBITED.

REVISIONS		DATE	APPROVED
REV.	DESCRIPTION		



UNLESS OTHERWISE SPECIFIED DIMENSIONS ARE IN INCHES. TOLERANCES ARE: FRACTIONS DECIMALS ANGLES +/- 1/32 .004 +0/- .001 +1 DEG. XXX+ .030		CAD GENERATED DRAWING. DO NOT MANUALLY UPDATE.		NATIONAL PRODUCTS INC.	
MATERIAL: ALUMINUM		APPROVALS: JDC	DATE: 01/15/10	RAM BASE WITH 1.5" DIA. RUBBER BALL	
FINISH: BLACK POWDER COAT		CHECKED: CMR	RESP ENG: 01/15/10	HUMMINBIRD, APELCO	
DO NOT SCALE DRAWING		QUALING		DWG. NO: RAM-107B	REV. C
				SCALE: 1 TO 1	CAD FILE: RAM107B SHEET 1 OF 1