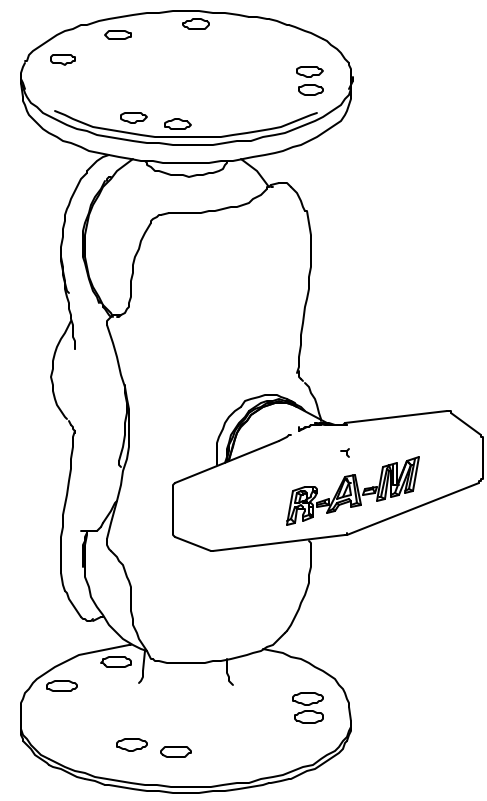
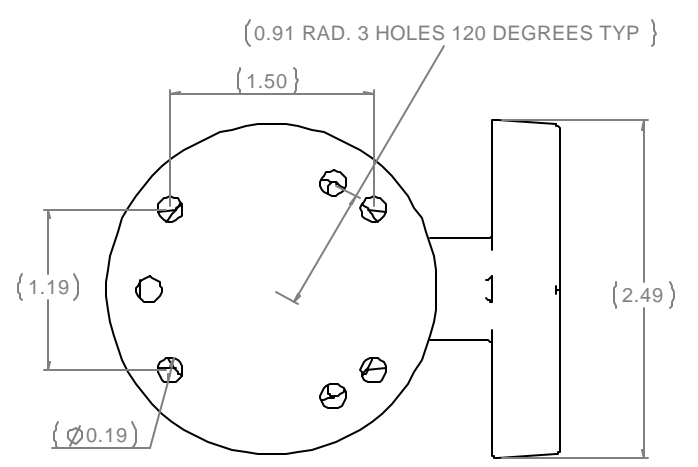
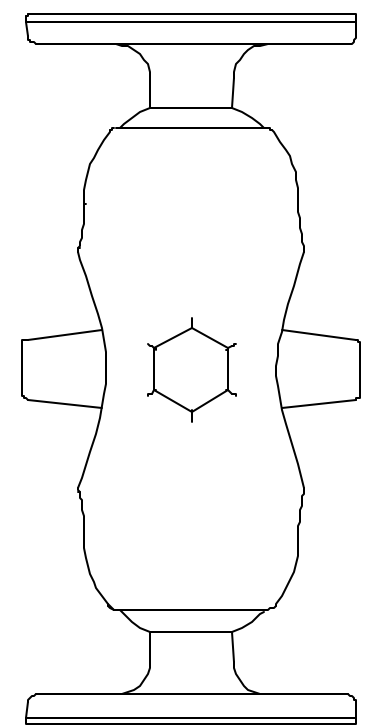
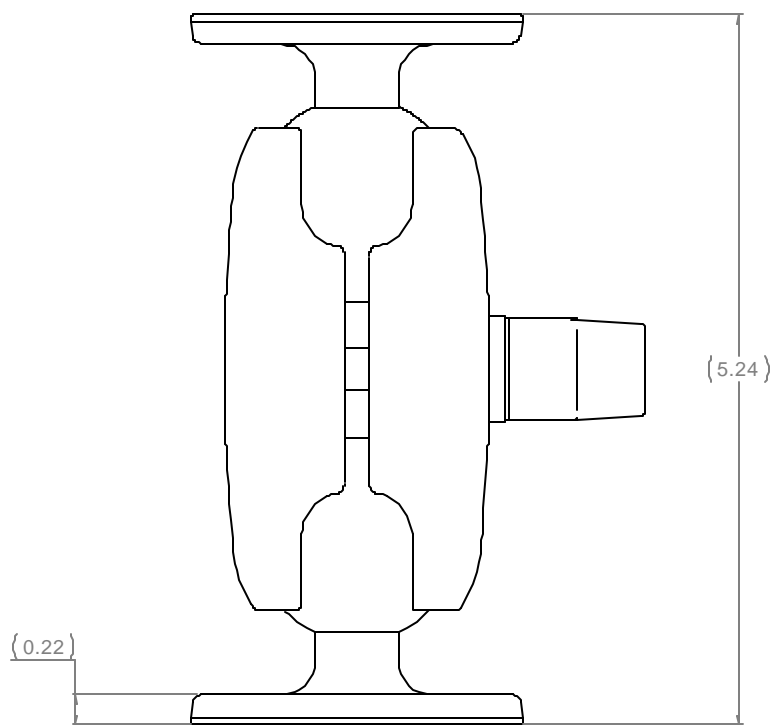


THE INFORMATION CONTAINED IN THIS DRAWING IS THE SOLE PROPERTY OF NATIONAL PRODUCTS INC. ANY REPRODUCTION IN PART OR WHOLE WITHOUT THE WRITTEN PERMISSION OF NATIONAL PRODUCTS INC. IS PROHIBITED.

REV	DESCRIPTION	REVISION	DATE	APPROVED



UNLESS OTHERWISE SPECIFIED DIMENSIONS ARE IN INCHES TOLERANCES ARE: FRACTIONS DECIMALS ANGLES + .125 - .000 - .000 + .1 DIAL XXX - .000	CAD GENERATED DRAWING DO NOT MANUALLY UPDATE	NATIONAL PRODUCTS INC.
	APPROVALS JDC 04/20/01	RAM MOUNT WITH 2- 2.437 DIA. BASES, 1.5" DIA. RUBBER BALLS & B LENGTH DBL SOCKET ARM
MATERIAL ALUMINUM	CHECKED CMR 04/21/01	REV RAM-101-B
FRESH BLACK POWDER COAT	DATE 04/21/01	SCALE 1 TO 1 CAD FILE RAM101B SHEET 1 OF 1
DO NOT SCALE DRAWING		