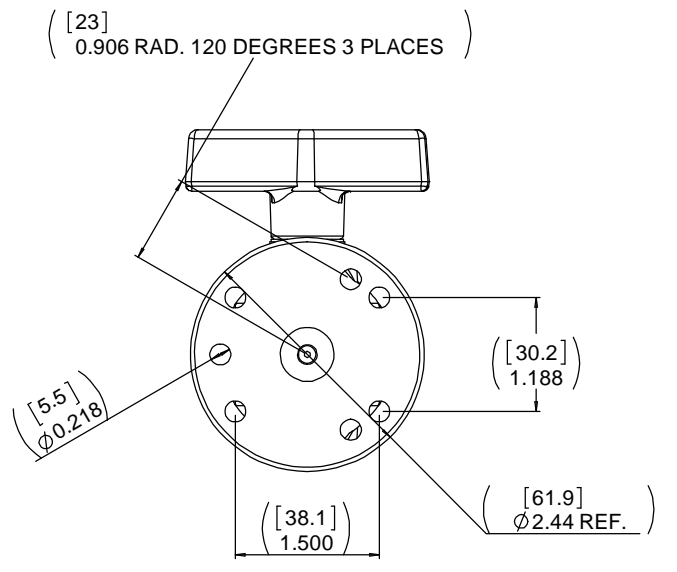
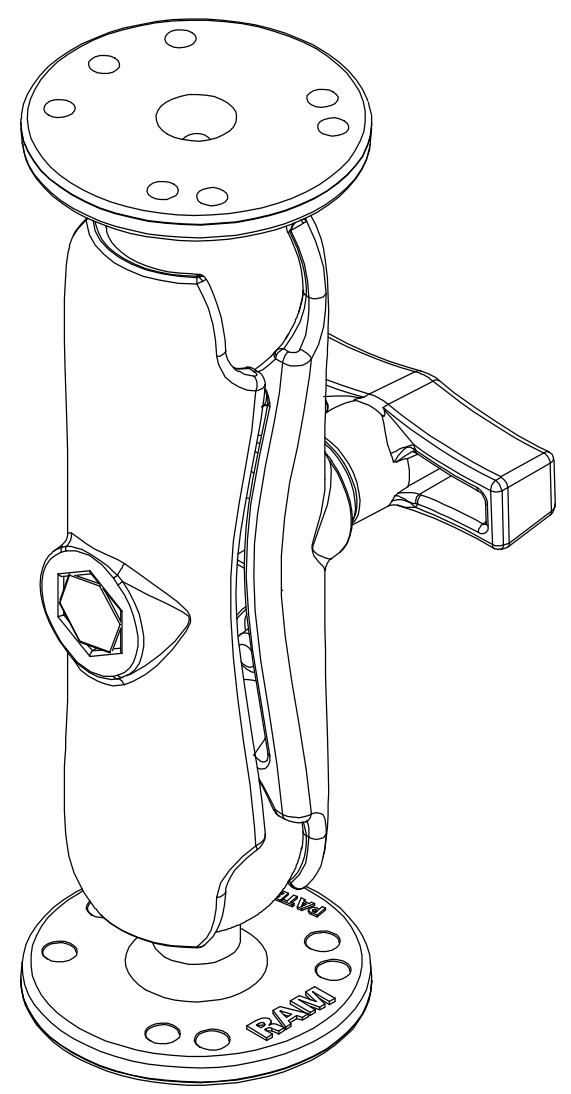
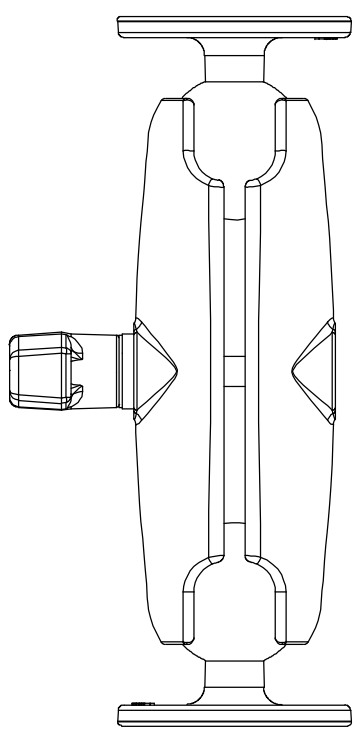
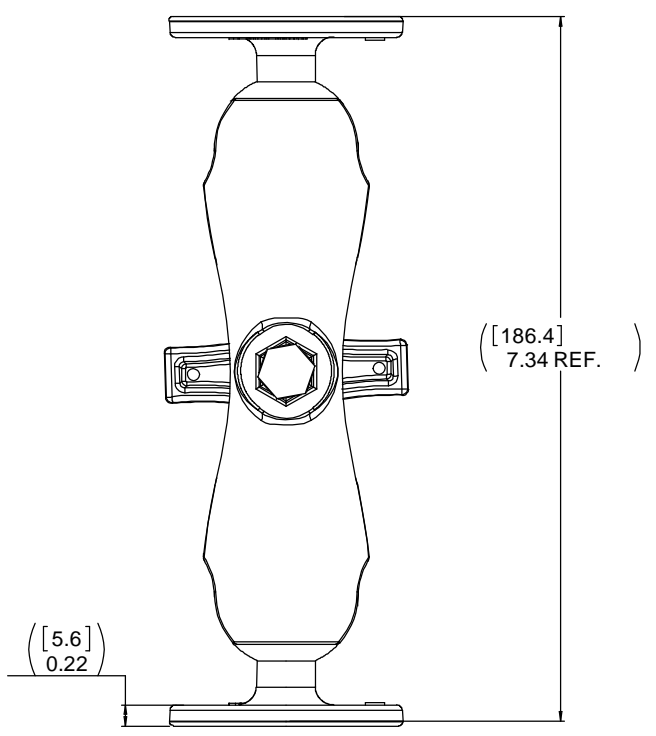


THE INFORMATION CONTAINED IN THIS DRAWING IS THE SOLE PROPERTY OF NATIONAL PRODUCTS INC. ANY REPRODUCTION IN PART OR WHOLE WITHOUT THE WRITTEN PERMISSION OF NATIONAL PRODUCTS INC. IS PROHIBITED.

REV.	DESCRIPTION	DATE	APPROVED



UNLESS OTHERWISE SPECIFIED DIMENSIONS ARE IN INCHES TOLERANCES ARE: FRACTIONS: DECIMALS: ANGLES: + 1/32 -XX+ .03 + -1 DEG. .XXX+ - .010	CAD GENERATED DRAWING. DO NOT MANUALLY UPDATE	NATIONAL PRODUCTS INC.	
MATERIAL: ALUMINUM	APPROVALS: JDC	DATE: 04/01/14	RAM MOUNT WITH 2.43" DIA. BASES AND 1 1/2" DIA. RUBBER BALLS
FINISH: BLACK POWDER COAT	CHECKED: REP: ENG:	DESIGN: REP: ENG:	SCALE: 1 TO 1
DO NOT SCALE DRAWING	EQUAL ENG:	QUAL ENG:	RAM-101
			REV: SHEET 1 OF 1