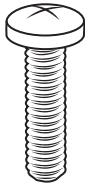


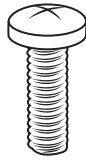
## Parts Index

\* not to scale

Use appropriate size screw based on your compatible mount



x 4



x 4

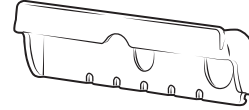


x 4

Used in below instructions

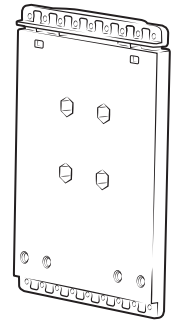


x 10

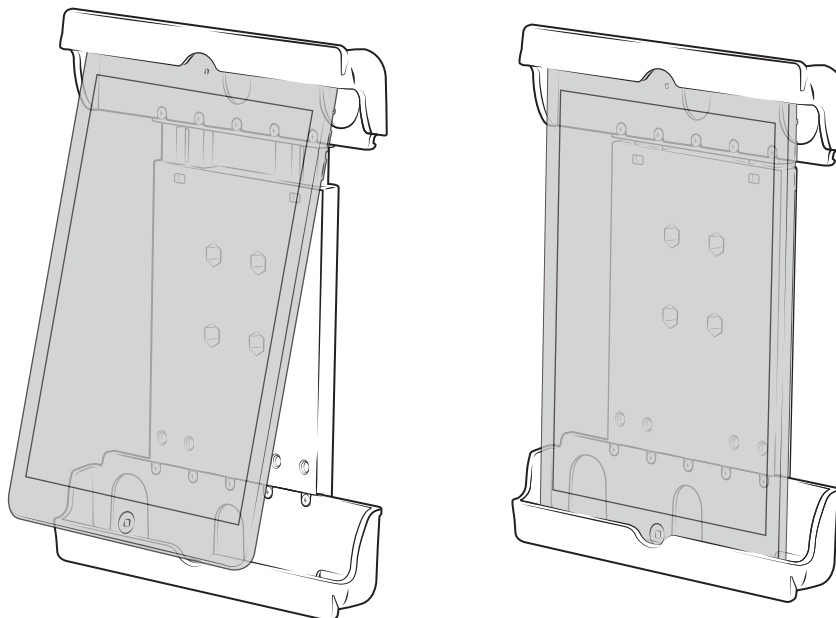
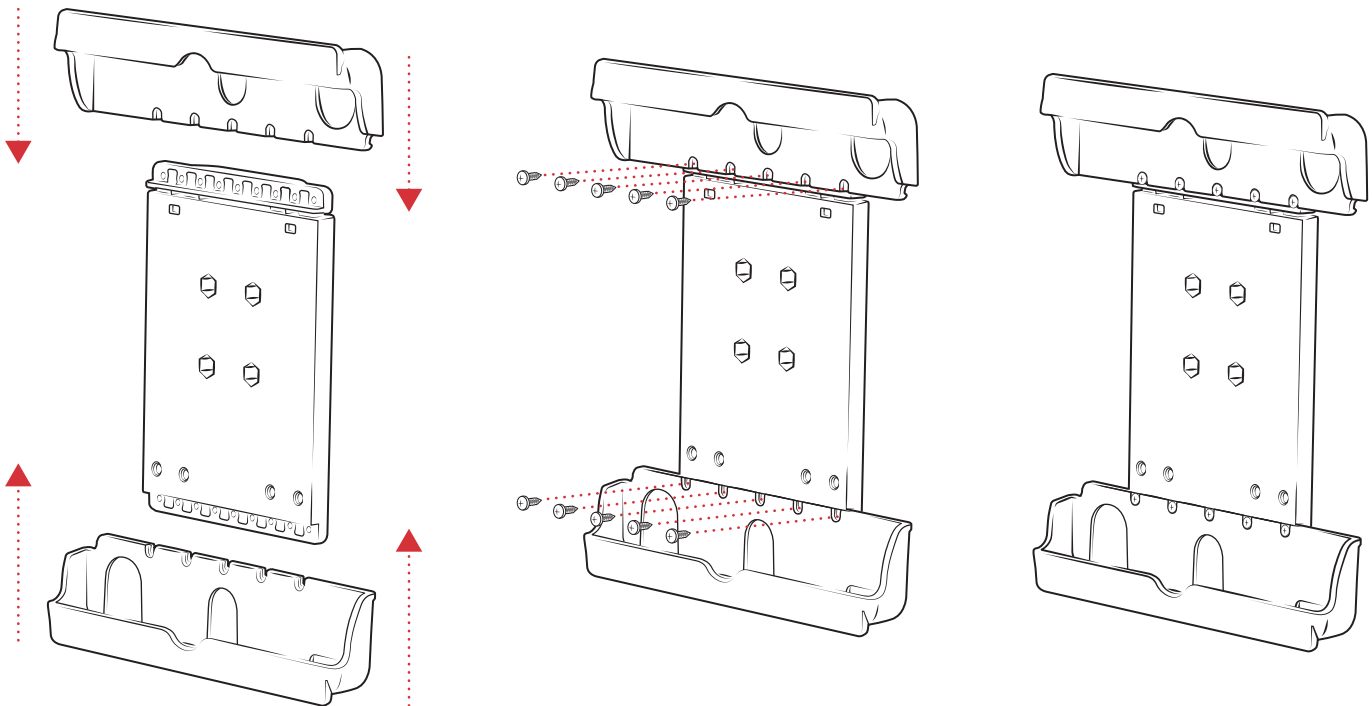


Cups may vary depending on Tab-Tite Version

x 2



x 1



RMR-INS-AC