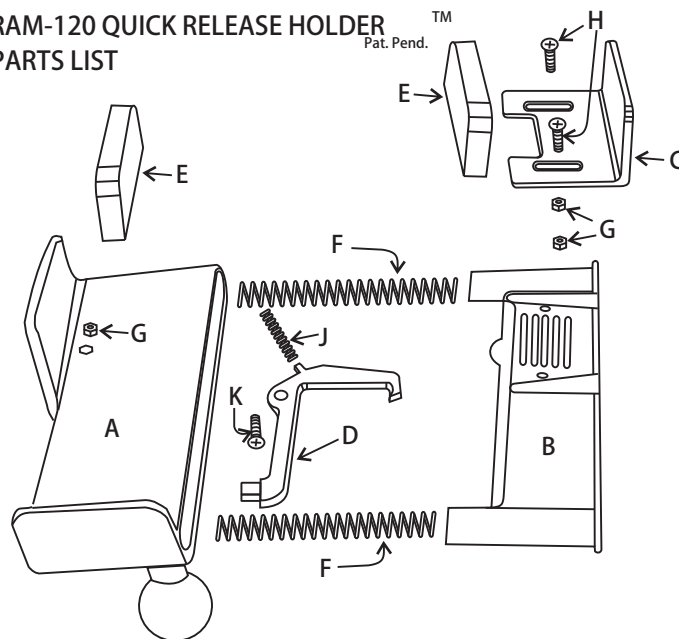


RAM-120 QUICK RELEASE HOLDER TM ASSEMBLY INSTRUCTIONS ^{Pat. Pend.}

1. Slide spring J onto pin on lever D
2. Position lever D into housing A so that the lever D protrudes through side slot of housing A and holes line up and spring J seats into spring angle pad.
3. Place a nut G in nut socket of housing A, insert screw K through bottom of housing A, lever D and gently tighten.
4. Drop side bracket C onto slide B, insert 2 qty. screw H through slots/holes and place 2 qty. nuts G in their respective hex holes and tighten. Note that this bracket/slide has five positions for different widths of hand held devices. You will need to experiment with the one that works best for your particular device.
5. Rub some paraffin or candle wax (not included) for lubrication on B tube sliding surfaces that contact A housing when assembled (note this is very important for ease of operation). Slide 2 qty. springs F into slide B tubes then insert entire assembly B into housing A making sure that springs F center into cones located in the bottom of housing A.
6. Peel paper backing off of adhesive of foam pads E, position and press to secure them on the two vertical sides of the holder assembly.

National Products Inc. 1017 S. Elmgrove St. Seattle, WA 98108
Phone: (206) 763-8361 Fax: (206) 763-9615 www.ram-mount.com

RAM-120 QUICK RELEASE HOLDER TM PARTS LIST ^{Pat. Pend.}



- A- 1 QTY. HOUSING CASTING
- B- 1 QTY. SLIDE CASTING WITH TUBES
- C- 1 QTY. SLIDE BRACKET CASTING WITH SLOTS
- D- 1 QTY. LATCH CASTING
- E- 2 QTY. FOAM PADS W/ ADHESIVE BACKING
- F- 2 QTY. 3/8" OD X 3 5/8" LONG SPRINGS
- G- 3 QTY. 6-32 NYLOCK NUTS
- H- 2 QTY. 6-32 X 1/2" LONG FLAT HEAD SCREWS
- J- 1 QTY 1/4" OD X 1 1/4" LONG SPRING