

**Item Number**

RAM-VB-180 & RAM-VB-180-SW1

# RAM No-Drill™ Seat Bases

National Products, Inc.

**Vehicle base for the**  
**TOYOTA TUNDRA (2007-2011)**  
**NISSAN NV1500 (2011)**  
**NISSAN NV2500 HD (2011)**  
**NISSAN NV3500 HD (2011)**

## SPECIFICATIONS

**Placement**

Passenger side on the floor, under front seat

**Drilling Required**

No - uses existing seat bolts

**Seat Configuration**

Bucket

**Pole or Pedestal**

Sold Separately

**Construction/Finish**

Steel/Black Powdercoat

**Weight**

6 lbs.

**Dimensions**

A = 19", B = 9.375", C = 1.375"

Hole Centers = 17"

## Features

Installs in minutes with no drilling required  
Low profile keeps mount away from passenger leg space

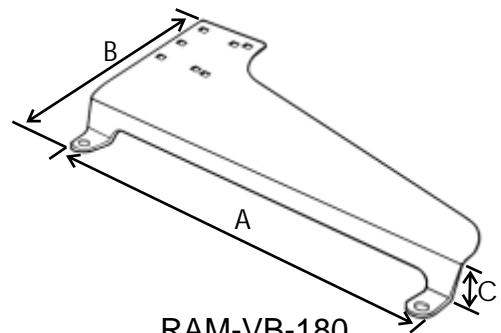
## Misc.

Rock solid construction  
Lifetime warranty

National Products, Inc.  
Phone: 206-763-8361  
Fax: 206-763-9615  
Address: 1205 S Orr St  
Seattle, WA 98108  
Website: [www.ram-mount.com](http://www.ram-mount.com)  
Email: [staff@ram-mount.com](mailto:staff@ram-mount.com)



RAM-VB-180-SW1



RAM-VB-180



## Item Number \_\_\_\_\_

RAM-VB-180 & RAM-VB-180-SW1

# RAM No-Drill™ Seat Bases

National Products, Inc.

**Vehicle base for the**  
**TOYOTA TUNDRA (2007-2011)**  
**NISSAN NV1500 (2011)**  
**NISSAN NV2500 HD (2011)**  
**NISSAN NV3500 HD (2011)**

## INSTALLATION INSTRUCTIONS

1. If using a riser, it should be attached to the No-Drill™ base prior to attaching the base to the vehicle. For a finished look, assemble so the rounded heads of the carriage bolts are on top. A riser is not necessary for most applications.
2. Move the passenger seat back to its rearmost position and remove the front seat rail bolts using a 14mm socket wrench. Save and store these bolts should the mount be later removed.
3. Using the provided hardware, place the washers over the longer bolts, pass the bolts through the No-Drill™ base, next through the round stand-offs, and align over the threaded holes in the floor board.
4. Start bolts by hand to insure that the bolts do not cross thread
5. Using a 17mm socket wrench, fully tighten the bolts to secure the base.
6. After a day of use, re-tighten the seat bolts holding the mount in place.



National Products, Inc.  
Phone: 206-763-8361  
Fax: 206-763-9615  
Address: 1205 S Orr St  
Seattle, WA 98108  
Website: [www.ram-mount.com](http://www.ram-mount.com)  
Email: [staff@ram-mount.com](mailto:staff@ram-mount.com)

